








Modul 45® systems, device installation solutions for Rapid 80 and ISS

	Device installation Modul 45®, single	Service unit Strain relief Cover frame	152
	Device installation Modul 45®, double	Service unit Strain relief Mounting support Cover frame	152
	Device installation Modul 45®, triple	Service unit Strain relief Mounting support Cover frame	153
	Device installation with 50mm central plate	Service unit Strain relief Mounting support Cover frame	155
	Socket units, Modul 45®	1-way Double 3x	156
	Socket unit CEE	Single, 16 A Single, 32 A	157
	Installation unit	for 2 PU	157



Device installation, Modul 45® in Rapid 80 and ISS

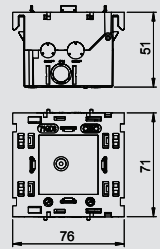


Service unit, single, Modul 45®

Type	Designation	Pack.	Weight	Item No.
		pcs	kg/100 pcs.	
71GD8-2	—	1	5.900	6288 56 9

PA Polyamide

Front locking single service unit for Modul 45 system, with folding, and also removable, base for time-saving cable connection, with feed openings for cable diameters of up to 14 mm.

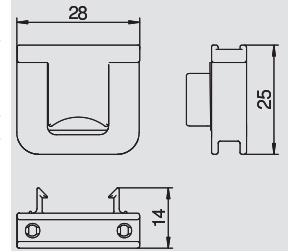


Strain relief for service unit

Type	Colour	Pack.	Weight	Item No.
		pcs	kg/100 pcs.	
7ZE	—	50	0.650	6288 79 0

PA Polyamide

Strain relief with locking clips, suitable for the accessory mounting boxes 7GD... and 71GD... . Cable clamping range to 14 mm.

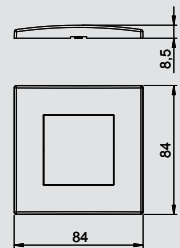


Cover frame AR45, single

Type	Colour	Pack.	Weight	Item No.
		pcs	kg/100 pcs.	
AR45-F1 RW	Pure white	1	1.600	6119 32 2
AR45-F1 SWGR	Black-grey	1	1.600	6119 32 4
AR45-F1 AL	Aluminium painted	1	1.600	6119 32 6

PC Polycarbonate

Front locking cover frame for Modul 45 devices, single, without labelling panel for horizontal and vertical device installation, for locking in service unit 71GD8-2.

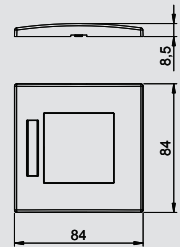


Cover frame AR45, single, with labelling panel for horizontal device installation

Type	Colour	Pack.	Weight	Item No.
		pcs	kg/100 pcs.	
AR45-BF1 RW	Pure white	1	1.500	6119 33 2
AR45-BF1 SWGR	Black-grey	1	1.500	6119 33 4
AR45-BF1 AL	Aluminium painted	1	1.500	6119 33 6

PC Polycarbonate

Front locking cover frame for Modul 45 devices, single, with labelling panel for horizontal device installation, for locking in service unit 71GD8-2.

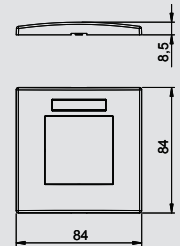


Cover frame AR45, single, with labelling panel for vertical device installation

Type	Colour	Pack.	Weight	Item No.
		pcs	kg/100 pcs.	
AR45-BSF1 RW	Pure white	1	1.500	6119 33 8
AR45-BSF1 SWGR	Black-grey	1	1.500	6119 33 9
AR45-BSF1 AL	Aluminium painted	1	1.500	6119 34 0

PC Polycarbonate

Front locking cover frame for Modul 45 devices, single, with labelling panel for vertical device installation, for locking in service unit 71GD8-2.

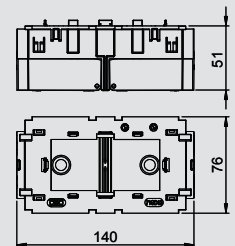


Service unit, double, Modul 45®

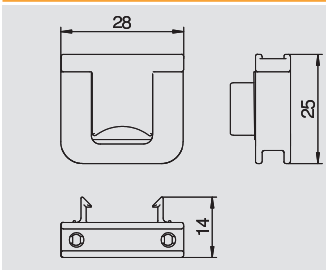
Type	Designation	Pack.	Weight	Item No.
		pcs	kg/100 pcs.	
71GD13	—	1	5.000	6288 58 3

PA Polyamide

Front locking double service unit for Modul 45 system, with folding, and also removable, base for time-saving cable connection, with feed openings for cable diameters of up to 14 mm.



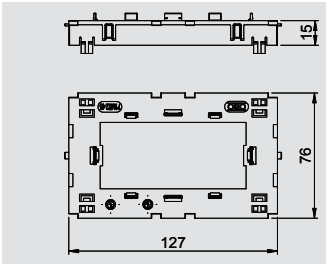
Device installation, Modul 45® in Rapid 80 and ISS



Strain relief for service unit

Type	Colour	Pack.	Weight	Item No.
		pcs	kg/100 pcs.	
7ZE	—	50	0.650	6288 79 0

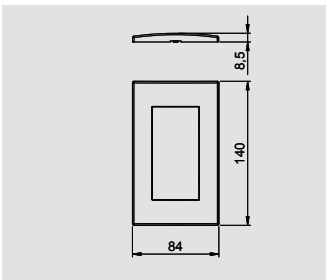
PA Polyamide /pc.
Strain relief with locking clips, suitable for the accessory mounting boxes 7GD... and 71GD...
Cable clamping range to 14 mm.



Mounting support, double, for Modul 45®

Type	Colour	Pack.	Weight	Item No.
		pcs	kg/100 pcs.	
71MT2 45	—	1	3.050	6288 57 6

PA Polyamide

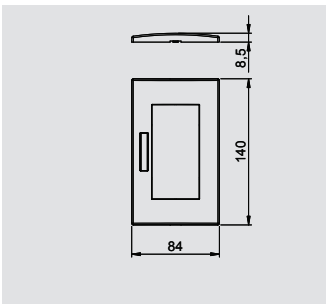


Cover frame AR45, double

Type	Colour	Pack.	Weight	Item No.
		pcs	kg/100 pcs.	
AR45-F2 RW	Pure white	1	2.320	6119 34 2
AR45-F2 SWGR	Black-grey	1	2.320	6119 34 4
AR45-F2 AL	Aluminium painted	1	2.320	6119 34 6

PC Polycarbonate

Front locking cover frame for Modul 45 devices, single, without labelling panel for horizontal and vertical device installation, for locking in service unit 71GD13 or in mounting support 71MT2 45.

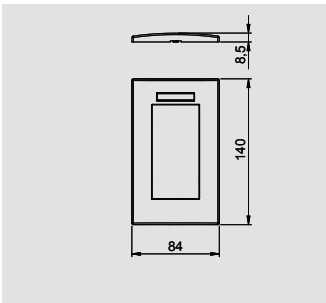


Cover frame AR45, double, with labelling panel for horizontal device installation

Type	Colour	Pack.	Weight	Item No.
		pcs	kg/100 pcs.	
AR45-BF2 RW	Pure white	1	2.260	6119 35 2
AR45-BF2 SWGR	Black-grey	1	2.260	6119 35 4
AR45-BF2 AL	Aluminium painted	1	2.260	6119 35 6

PC Polycarbonate

Front locking cover frame for Modul 45 devices, double, with labelling panel for horizontal device installation, for locking in service unit 71GD13 or in mounting support 71MT2 45.

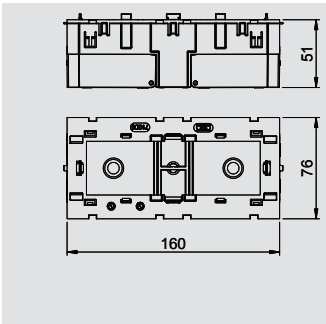


Cover frame AR45, double, with labelling panel for vertical device installation

Type	Colour	Pack.	Weight	Item No.
		pcs	kg/100 pcs.	
AR45-BSF2 RW	Pure white	1	2.260	6119 36 2
AR45-BSF2 SWGR	Black-grey	1	2.260	6119 36 4
AR45-BSF2 AL	Aluminium painted	1	2.260	6119 36 6

PC Polycarbonate

Front locking cover frame for Modul 45 devices, double, with labelling panel for vertical device installation, for locking in service unit 71GD13 or in mounting support 71MT2 45.



Service unit, triple, Modul 45®

Type	Designation	Pack.	Weight	Item No.
		pcs	kg/100 pcs.	
71GD9-2	—	1	11.600	6288 57 9

PA Polyamide

Front locking triple service unit for Modul 45 system, with folding, and also removable, base for time-saving cable connection, with feed openings for cable diameters of up to 14 mm.



07_EGS_Masterkatalog_Länder_2012 / en / 06/03/2012 (LLEXP011417) / 07/03/2012

Modul 45® systems, device installation solutions for Rapid 80 and ISS

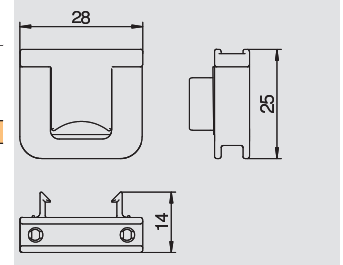
Device installation, Modul 45® in Rapid 80 and ISS



Strain relief for service unit

Type	Colour	Pack.	Weight	Item No.
		pcs	kg/100 pcs.	
7ZE	—	50	0.650	6288 79 0

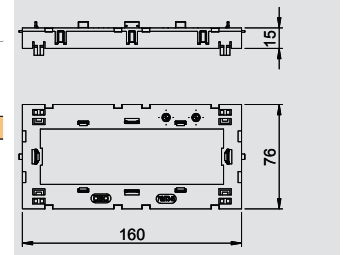
PA Polyamide /pc.
 Strain relief with locking clips, suitable for the accessory mounting boxes 7GD... and 71GD...
 Cable clamping range to 14 mm.



Mounting support, triple, for Modul 45®

Type	Pack.	Weight	Item No.
	pcs	kg/100 pcs.	
71MT3 45-2	1	3.200	6288 57 4

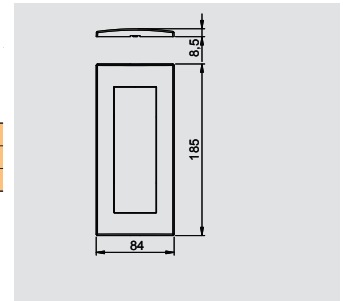
PA Polyamide
 Front-locking mounting support for Modul 45 data technology systems and Modul 45 connect protective contact sockets with Wieland connection.



Cover frame AR45, triple

Type	Colour	Pack.	Weight	Item No.
		pcs	kg/100 pcs.	
AR45-F3 RW	Pure white	1	2.800	6119 37 2
AR45-F3 SWGR	Black-grey	1	2.800	6119 37 4
AR45-F3 AL	Aluminium painted	1	2.800	6119 37 6

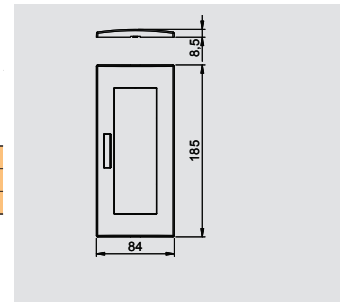
PC Polycarbonate
 Front locking cover frame for Modul 45 devices, triple, without labelling panel for horizontal and vertical device installation, for locking in service unit 71GD9-2 or in mounting support 71MT3 45-2.



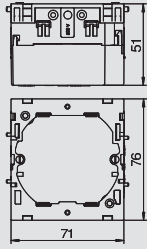
Cover frame AR45, triple, with labelling panel for horizontal device installation

Type	Colour	Pack.	Weight	Item No.
		pcs	kg/100 pcs.	
AR45-BF3 RW	Pure white	1	2.800	6119 38 2
AR45-BF3 SWGR	Black-grey	1	2.800	6119 38 4
AR45-BF3 AL	Aluminium painted	1	2.800	6119 38 6

PC Polycarbonate
 Front locking cover frame for Modul 45 devices, triple, with labelling panel for horizontal device installation, for locking in service unit 71GD9-2 or in mounting support 71MT3 45-2.



Device installation, devices with 50 mm central plate in Rapid 80 and ISS

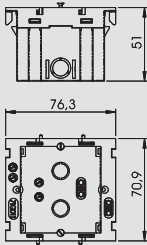


Service unit, single



Type	Colour	Pack.	Weight	Item No.
		pcs	kg/100 pcs.	
71GD6	Iron grey	5	5.600	6288 61 0

PA Polyamide /pc.
 Front-locking accessory mounting box for switch systems, with folding, and also removable, base for time-saving cable connection, with feed openings for cable diameters of up to 14 mm.

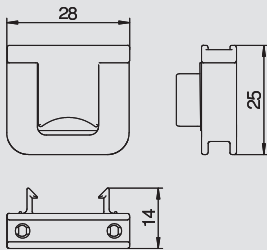


Service unit, single, with large installation opening



Type	Colour	Pack.	Weight	Item No.
		pcs	kg/100 pcs.	
71GD11	—	1	4.600	6288 53 2

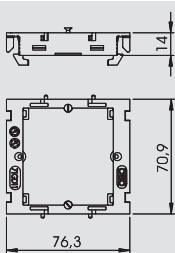
PA Polyamide /pc.
 Service unit to accept standard switching and connection devices in support ring and support clamp versions of all manufacturers. An extra-large installation opening means that the socket is also suitable for the acceptance of ELKO devices as well as larger versions of data technology connection sockets. With the data technology application, it is possible to do without the protective housing if necessary.



Strain relief for service unit

Type	Colour	Pack.	Weight	Item No.
		pcs	kg/100 pcs.	
7ZE	—	50	0.650	6288 79 0

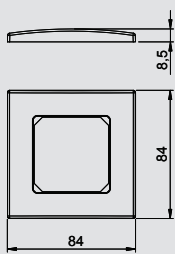
PA Polyamide /pc.
 Strain relief with locking clips, suitable for the accessory mounting boxes 7GD... and 71GD... . Cable clamping range to 14 mm.



Mounting support, single, for data technology and ELKO devices

Type	Pack.	Weight	Item No.
	pcs	kg/100 pcs.	
71MTD	10	1.640	6288 57 7

PA Polyamide /pc.
 Mounting support for the installation of data technology devices in device installation ducts of the Rapid 80 series and ISS service poles with 76.5 mm system opening.



Cover frame AR50, single

Type	Colour	Pack.	Weight	Item No.
		pcs	kg/100 pcs.	
AR50-F1 RW	Pure white	1	1.620	6119 39 2
AR50-F1 SWGR	Black-grey	1	1.620	6119 39 4
AR50-F1 AL	Aluminium painted	1	1.620	6119 39 6

PC Polycarbonate
 Front locking cover frame for devices with 50 mm central plate, single, without labelling panel for horizontal and vertical device installation, for mounting on service unit 71GD6, 71GD11 or in mounting support 71MTD.



Complete units, for Rapid 80 and ISS

Socket unit AR45, single

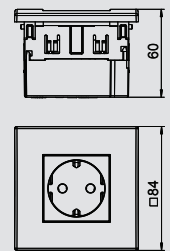


Type	Colour	Pack.	Weight		Item No.
			pcs	kg/100 pcs.	
SDE-RW D0RW1	Pure white	4	10.700		6119 40 1
SDE-RW D0GN1	Mint green	4	10.700		6119 40 2
SDE-RW D0RT1	Signal red	4	10.700		6119 40 3

Preterminated socket unit without labelling panel, suitable for installation in Rapid 80 device installation duct systems.

Socket unit, consisting of:

- Service unit, single, type 71GD8-2.
- Protective contact socket, single, 0° connection direction, colour: see table.
- Cover frame AR45, single, without labelling panel, colour: pure white



Socket unit AR45, single, with labelling panel for horizontal device installation

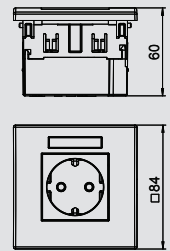


Type	Colour	Pack.	Weight		Item No.
			pcs	kg/100 pcs.	
SDE-RW D0RW1B	Pure white	4	10.700		6119 42 1
SDE-RW D0GN1B	Mint green	4	10.700		6119 42 2
SDE-RW D0RT1B	Signal red	4	10.700		6119 42 3

Preterminated socket unit with labelling panel, suitable for installation in Rapid 80 device installation duct systems.

Socket unit, consisting of:

- Service unit, single, type 71GD8-2
- Protective contact socket, single, 0° connection direction, colour: see table
- Cover frame AR45, single, with labelling panel, type AR45-BF., colour: pure white



Socket unit AR45, double

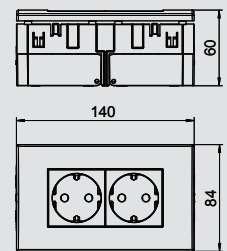


Type	Colour	Pack.	Weight		Item No.
			pcs	kg/100 pcs.	
SDE-RW D0RW2	Pure white	2	19.000		6119 40 7
SDE-RW D0GN2	Mint green	2	19.000		6119 40 8
SDE-RW D0RT2	Signal red	1	19.000		6119 40 9

Preterminated socket unit without labelling panel, suitable for installation in Rapid 80 device installation duct systems.

Socket unit, consisting of:

- Service unit, double, type 71GD13
- Protective contact socket, double, 0° connection direction, colour: see table
- Cover frame AR45, double, without labelling panel, type AR45-BF., colour: pure white



Socket unit AR45, double, with labelling panel for horizontal device installation

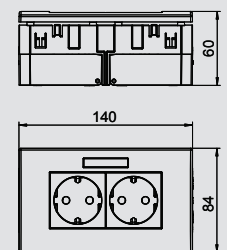


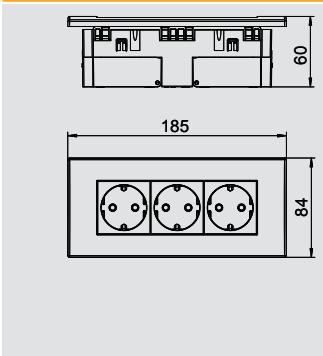
Type	Colour	Pack.	Weight		Item No.
			pcs	kg/100 pcs.	
SDE-RW D0RW2B	Pure white	2	19.000		6119 42 7
SDE-RW D0GN2B	Mint green	2	19.000		6119 42 8
SDE-RW D0RT2B	Signal red	2	19.000		6119 42 9

Preterminated socket unit with labelling panel, suitable for installation in Rapid 80 device installation duct systems.

Socket unit, consisting of:

- Service unit, double, type 71GD13
- Protective contact socket, double, 0° connection direction, colour: see table
- Cover frame AR45, double, with labelling panel, type AR45-BF., colour: pure white





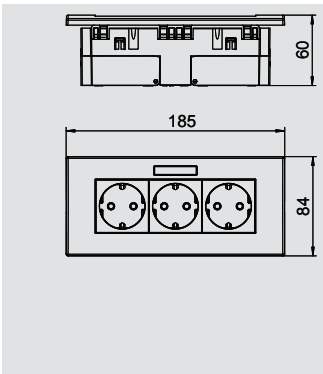
Socket unit AR45, triple

Type	Colour	Pack.	Weight		Item No.
			pcs	kg/100 pcs.	
SDE-RW D0RW3	Pure white	2	23.300		6119 41 4
SDE-RW D0GN3	Mint green	2	23.300		6119 41 5
SDE-RW D0RT3	Signal red	2	23.300		6119 41 3

Preterminated socket unit without labelling panel, suitable for installation in Rapid 80 device installation duct systems.

Socket unit, consisting of:

- Service unit, triple, type 71GD9-2
- Protective contact socket, triple, 0° connection direction, colour: see table
- Cover frame AR45, triple, without labelling panel, type AR45-BF..., colour: pure white



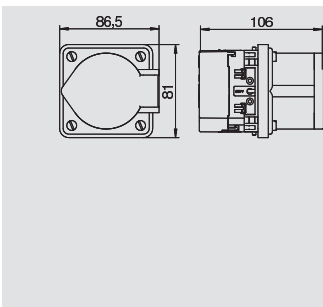
Socket unit AR45, triple, with labelling panel for horizontal device installation

Type	Colour	Pack.	Weight		Item No.
			pcs	kg/100 pcs.	
SDE-RW D0RW3B	Pure white	2	23.300		6119 43 3
SDE-RW D0GN3B	Mint green	2	23.300		6119 43 4
SDE-RW D0RT3B	Signal red	2	23.300		6119 43 5

Preterminated socket unit with labelling panel, suitable for installation in Rapid 80 device installation duct systems.

Socket unit, consisting of:

- Service unit, triple, type 71GD9-2
- Protective contact socket, triple, 0° connection direction, colour: see table
- Cover frame AR45, triple, with labelling panel, type AR45-BF..., colour: pure white



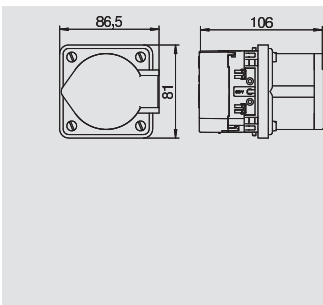
Socket unit CEE, single, 16 A

Type	Colour	Pack.	Weight		Item No.
			pcs	kg/100 pcs.	
CEE16E2	Iron grey	1	34.110		6288 61 2

PA Polyamide

/pc.

Accessory mounting box, complete, for the installation of a CEE connection device in device installation trunking with 80 mm cover, consisting of:
front-locking device installation trunking
CEE connection unit and mounting material
CEE socket, 16 A.



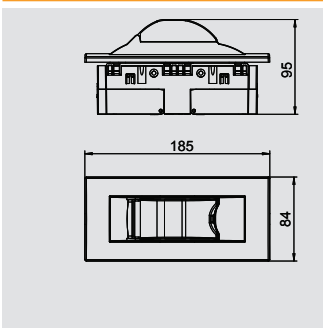
Socket unit CEE, single, 32 A

Type	Colour	Pack.	Weight		Item No.
			pcs	kg/100 pcs.	
CEE32E2	Iron grey	1	37.000		6288 61 4

PA Polyamide

/pc.

Accessory mounting box, complete, for the installation of a CEE connection device in device installation trunking with 80 mm cover, consisting of:
front-locking device installation trunking
CEE connection unit and mounting material
CEE socket, 32 A.



Installation unit AR45, for 2 PU

Type	Colour	Pack.	Weight		Item No.
			pcs	kg/100 pcs.	
IKR-6 RW	Pure white	1	19.000		6119 31 9

Installation unit to accept protection devices such as miniature circuit-breakers or FI protection switches up to max. 2 PU, suitable for installation in Rapid 80 device installation duct systems and ISS service poles.

Installation unit, consisting of:

- Service unit, triple, type 71GD9-2
- Cover, incl. PVC support clamp for 2 PU, colour: see table
- Cover frame AR45, triple, without labelling panel, colour: pure white

