





## Energy distribution systems

	Consolidation Point	Empty housing Support plate for Modul 45® Support plate as cable outlet Blanking plate Terminal strip	204
	Energy distributor	Energy distributors, fixed connection Energy distributors, plug connection	205
	Installation accessories	Connector part, 3-pin Socket part, 3-pin Distributor block, 3-pin Connector part, 5-pin Socket part 5-pin	207
	Connection cable	3-pin plug socket 3-pin plug socket, halogen-free	209

# Consolidation Point

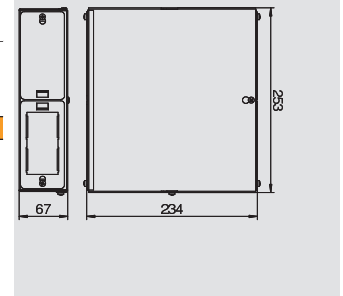
## CP empty housing



Type	Pack.	Weight	Item No.
	pcs	kg/100 pcs.	
<b>CP45-LG 8A</b>	1	190.000	<b>6108 03 7</b>

**St** Steel /pc.

Consolidation Point empty housing for the installation of 4 Modul 45 accessories (expandable to max. eight Modul 45 accessories), consisting of housing base and cover, a cover hood to separate data technology and heavy current, two support plates for the installation of two Modul 45 accessories each, two blanking plates, two cable glands V-TEC M25 and a protective conductor connection bracket.



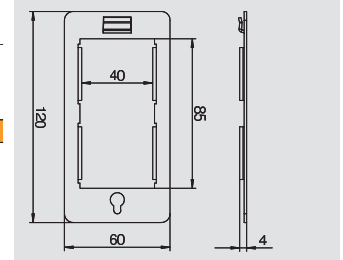
## CP support plate, for Modul 45® devices, double



Type	Pack.	Weight	Item No.
	pcs	kg/100 pcs.	
<b>CP45-TP M</b>	1	4.200	<b>6108 03 9</b>

**St** Steel /pc.

Support plate to accept two Modul 45 devices in a Consolidation Point housing.



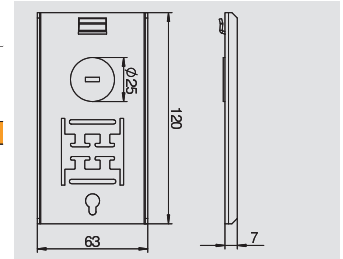
## CP support plate, as cable outlet



Type	Pack.	Weight	Item No.
	pcs	kg/100 pcs.	
<b>CP45-TP KE</b>	1	8.800	<b>6108 04 0</b>

**St** Steel /pc.

Support plate for cable insertion into the Consolidation Point housing.



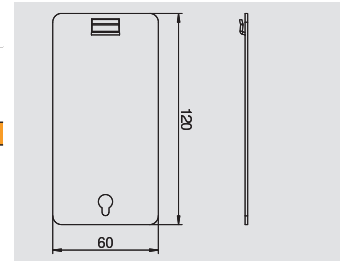
## CP support plate, as blanking cover



Type	Pack.	Weight	Item No.
	pcs	kg/100 pcs.	
<b>CP45-BP</b>	1	8.000	<b>6108 04 2</b>

**St** Steel /pc.

Blanking plate for closing off a mounting opening on a Consolidation Point housing.



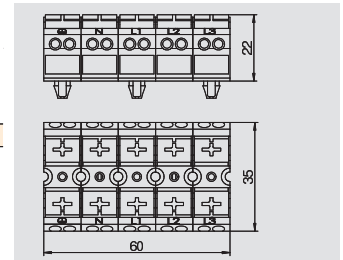
## Terminal strip

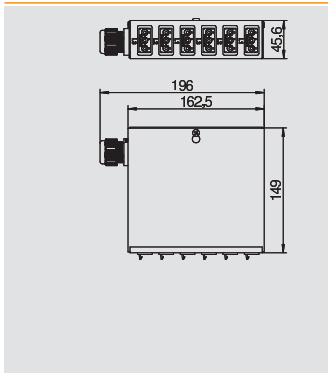


Type	Colour	Pack.	Weight	Item No.
		pcs	kg/100 pcs.	
<b>CP45-KL</b>	Black	1	2.000	<b>6108 04 3</b>

/pc.

Screwless terminal strip with locking foot, 5-pin for a cable cross-section of 0.5–4 mm<sup>2</sup>.



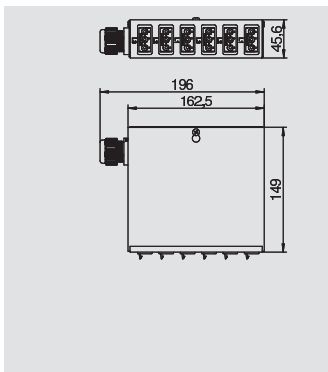


## UVS energy distributor, with 5-pin fixed connection, 6x 3-pin output sockets in black

Type	Pack.	Weight	Item No.
	pcs	kg/100 pcs.	
<b>UVS-6S2</b>	1	77.000	<b>6108 00 0</b>

**St** Steel /pc.  
Energy distributor for heavy current technology with fixed connection, equipped and pre-wired.

Input: One 3-phase circuit via a screwless terminal block, 5-pin, for cable cross-sections of 0.5–4 mm<sup>2</sup>.  
Output: Six self-locking connectors, 3-pin, in black, 16 A, type GST18i (socket part: 2 x L1, 2 x L2, 2 x L3).  
Internal wiring: PVC non-sheathed cable H07V-U2.5.

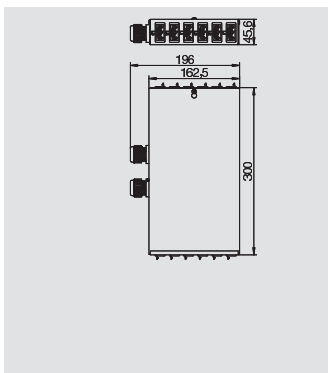


## UVS energy distributor, with 5-pin fixed connection, 6x 3-pin output sockets in white

Type	Pack.	Weight	Item No.
	pcs	kg/100 pcs.	
<b>UVS-6W2</b>	1	77.000	<b>6108 00 5</b>

**St** Steel /pc.  
Energy distributor for heavy current technology with fixed connection, equipped and pre-wired.

Input: One 3-phase circuit via a screwless terminal block, 5-pin, for cable cross-sections of 0.5–4 mm<sup>2</sup>.  
Output: Six self-locking connectors, 3-pin, in white, 16 A, type GST18i (socket part: 2 x L1, 2 x L2, 2 x L3).  
Internal wiring: PVC non-sheathed cable H07V-U2.5.

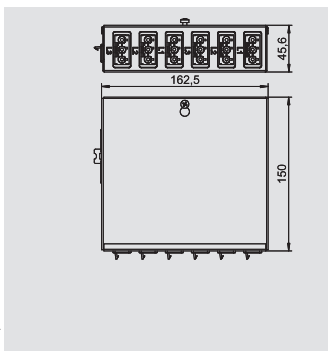


## UVS energy distributor, with 5-pin fixed connection, 6x 3-pin output sockets in black and white

Type	Pack.	Weight	Item No.
	pcs	kg/100 pcs.	
<b>UVS-6S6W2</b>	1	146.100	<b>6108 01 0</b>

**St** Steel /pc.  
Energy distributor for heavy current technology with fixed connection, equipped and pre-wired.

Input: Two 3-phase circuits via a screwless terminal block, 5-pin, for cable cross-sections of 0.5–4 mm<sup>2</sup>.  
Output: Twelve self-locking connectors, 3-pin, in white (6x) and black (6x), 16 A, type GST18i (socket part: 2 x L1, 2 x L2, 2 x L3 for each rotary current circuit).  
Internal wiring: PVC non-sheathed cable H07V-U2.5.

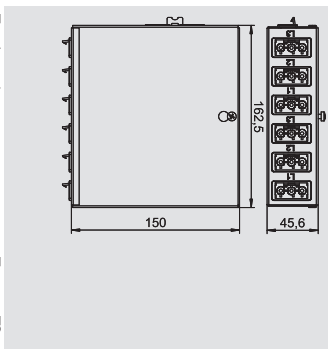


## UVS energy distributor, with 5-pin plug connection, 6x 3-pin output sockets in black

Type	Pack.	Weight	Item No.
	pcs	kg/100 pcs.	
<b>UVS-6S2SA</b>	1	79.000	<b>6108 01 2</b>

**St** Steel /pc.  
Energy distributor for heavy current technology with plug connection, equipped and pre-wired.

Input: One 3-phase circuit using a self-locking connector, 5-pin, type GST18i (connector part).  
Output: Six self-locking connectors, 3-pin, in black, 16 A, type GST18i (socket part: 2 x L1, 2 x L2, 2 x L3).  
Internal wiring: PVC non-sheathed cable H07V-U2.5.



## UVS energy distributor, with 5-pin plug connection, 6x 3-pin output sockets in white

Type	Pack.	Weight	Item No.
	pcs	kg/100 pcs.	
<b>UVS-6W2SA</b>	1	79.000	<b>6108 01 4</b>

**St** Steel /pc.  
Energy distributor for heavy current technology with plug connection, equipped and pre-wired.

Input: One 3-phase circuit using a self-locking connector, 5-pin, type GST18i (connector part).  
Output: Six self-locking connectors, 3-pin, in white, 16 A, type GST18i (socket part: 2 x L1, 2 x L2, 2 x L3).  
Internal wiring: PVC non-sheathed cable H07V-U2.5.



# Energy distributor



## UVS energy distributor, with 5-pin plug connection, 6x 3-pin output sockets in black and white

Type	Pack.	Weight	Item No.
	pcs	kg/100 pcs.	
<b>UVS-6S6W2SA</b>	1	140.000	<b>6108 01 6</b>

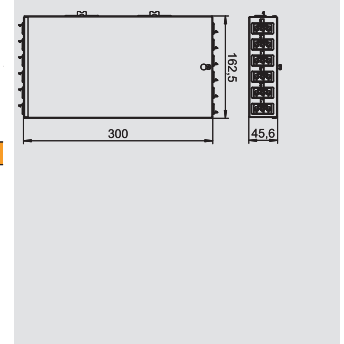
**St** Steel /pc.

Energy distributor for heavy current technology with plug connection, equipped and pre-wired.

Input: Two 3-phase circuits using self-locking connectors, 5 -pin, type GST18i (connector part).

Output: Twelve self-locking connectors, 3-pin, in white (6x) and black (6x), 16 A, type GST18i (socket part: 2 x L1, 2 x L2, 2 x L3 for each rotary current circuit).

Internal wiring: PVC non-sheathed cable H07V-U2.5.



## UVS energy distributor, with 3-pin plug connection, 6x 3-pin output sockets in black

Type	Pack.	Weight	Item No.
	pcs	kg/100 pcs.	
<b>UVS-6S2SA1P</b>	1	79.000	<b>6108 01 3</b>

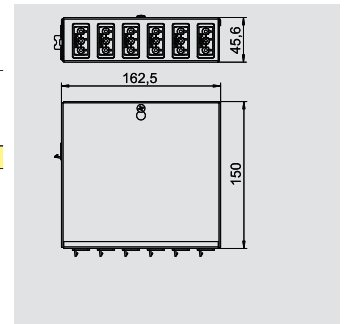
**St** Steel **FS** Strip-galvanised /pc.

Energy distributor for heavy current technology with plug connection, equipped and pre-wired.

Input: one single-phase circuit using a self-locking connector, 3-pin, Type GST18i (connector part).

Output: Six self-locking connectors, 3-pin, in black, 16 A, Type GST18i

Internal wiring: PVC non-sheathed cable H07V-U2.5.



## UVS energy distributor, with 3-pin plug connection, 6x 3-pin output sockets in white

Type	Pack.	Weight	Item No.
	pcs	kg/100 pcs.	
<b>UVS-6W2SA1P</b>	1	79.000	<b>6108 01 5</b>

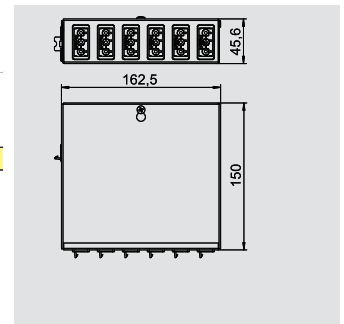
**St** Steel **FS** Strip-galvanised /pc.

Energy distributor for heavy current technology with plug connection, equipped and pre-wired.

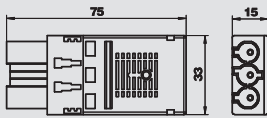
Input: one single-phase circuit using a self-locking connector, 3-pin, Type GST18i (connector part).

Output: Six self-locking connectors, 3-pin, in white, 16 A, Type GST18i

Internal wiring: PVC non-sheathed cable H07V-U2.5.



**Connector part 3-pin, spring power connection**



Type	Colour	Pack.	Weight	Item No.
		pcs	kg/100 pcs.	
<b>ST-F GST18i3p SW</b>	Black	5	2.600	<b>6108 05 0</b>
<b>ST-F GST18i3p W</b>	White	5	2.620	<b>6108 05 1</b>



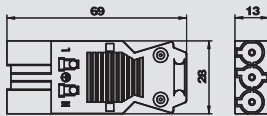
Connector part, 3-pin, type GST18i with spring power connection for rigid cables of 1.5–2.5 mm<sup>2</sup>, single-wire and ultrasonically welded, fine wire cables 1.5 mm<sup>2</sup> with end sleeves, unmounted with strain relief, can be terminated in situ, 250 V, 16 A.

Two connections per pole, for cables H05VV, NYM (Ø 7.8–10.33 mm), lockable, a lock should be provided for strain relief according to VDE 0628.

Stripping length: 45 mm  
Stripped length: 9 mm

/pc.

**Connector part, 3-pin, screw connection**



Type	Colour	Pack.	Weight	Item No.
		pcs	kg/100 pcs.	
<b>ST-S GST18i3p SW</b>	Black	5	2.030	<b>6108 05 4</b>
<b>ST-S GST18i3p W</b>	White	5	2.030	<b>6108 05 5</b>

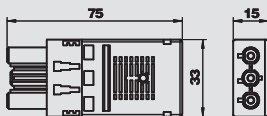


Connector part, 3-pin, type GST18i with screw connection, low height (no slot loss in combination with distributor blocks), for cross-sections of 0.75–2.5 mm<sup>2</sup>, single- and fine-wire cables connectable without end sleeve, for cable diameters between 6.5–10.5 mm (H05VV, NYM), unmounted with strain relief, terminable in situ, 250 V, 16 A.

Stripping length: 31 mm  
Insulation removal length: 7 mm

/pc.

**Socket section 3-pin, spring power connection**



Type	Colour	Pack.	Weight	Item No.
		pcs	kg/100 pcs.	
<b>BT-F GST18i3p SW</b>	Black	5	2.620	<b>6108 05 2</b>
<b>BT-F GST18i3p W</b>	White	5	2.690	<b>6108 05 3</b>



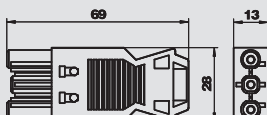
Socket part, 3-pin, type GST18i with spring power connection for rigid cables of 1.5–2.5 mm<sup>2</sup>, single-wire and ultrasonically welded, fine wire cables 1.5 mm<sup>2</sup> with end sleeves, unmounted with strain relief, can be terminated in situ, 250 V, 16 A.

Two connections per pole, for cables H05VV, NYM (Ø 7.8–10.33 mm), lockable, a lock should be provided for strain relief according to VDE 0628.

Stripping length: 45 mm  
Stripped length: 9 mm

/pc.

**Socket section 3-pin, screw connection**



Type	Colour	Pack.	Weight	Item No.
		pcs	kg/100 pcs.	
<b>BT-S GST18i3p SW</b>	Black	5	2.150	<b>6108 05 6</b>
<b>BT-S GST18i3p W</b>	White	5	2.150	<b>6108 05 7</b>

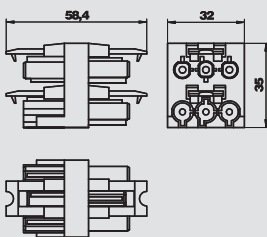


Socket part, 3-pin, type GST18i with screw connection, low height (no slot loss in combination with distributor blocks), for cross-sections of 0.75–2.5 mm<sup>2</sup>, single- and fine-wire cables connectable without end sleeve, for cable diameters between 6.5–10.5 mm (H05VV, NYM), unmounted with strain relief, terminable in situ, 250 V, 16 A.

Stripping length: 31 mm  
Insulation removal length: 7 mm

/pc.

**Distributor block 3-pole, 1E/3A**



Type	Colour	Pack.	Weight	Item No.
		pcs	kg/100 pcs.	
<b>VB-3 GST18i3p</b>	Black	5	3.590	<b>6108 08 0</b>



Distributor block with lock, type GST18i, one input with plug section 3-pin and three outputs with socket section 3-pin.

/pc.

## Installation accessories

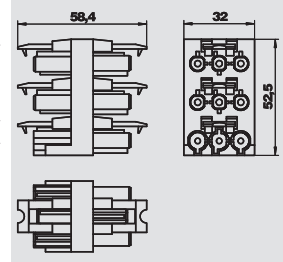


### Distributor block 3-pole, 1E/5A

Type	Colour	Pack.	Weight	Item No.
		pcs	kg/100 pcs.	
<b>VB-5 GST18i3p</b>	<b>Black</b>	5	5.590	<b>6108 08 2</b>

/pc.

Distributor block with lock, type GST18i, one input with plug section 3-pin and five outputs with socket section 3-pin.

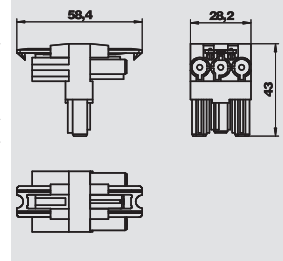


### Distributor block, 3-pole, T shaped

Type	Colour	Pack.	Weight	Item No.
		pcs	kg/100 pcs.	
<b>VB-T GST18i3p</b>	<b>Black</b>	5	2.540	<b>6108 08 4</b>

/pc.

T distributor with lock, type GST18i, one input with 3-pin connector part and two outputs with 3-pin socket part.



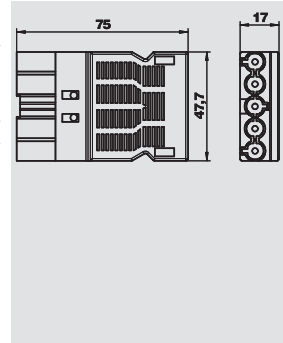
### Connector part, 5-pin, screw connection

Type	Colour	Pack.	Weight	Item No.
		pcs	kg/100 pcs.	
<b>ST-S GST18i5p SW</b>	<b>Black</b>	5	4.330	<b>6108 07 0</b>

/pc.

Connector part, 5-pin, type GST18i, with screw connection for 1.5–2.5 mm<sup>2</sup> cables, single and fine-wire, with strain relief, one connection per pin, unmounted, for cables H05VV (Ø 9.5–13.5) NYM and (Ø 10.5–13.5 mm), lockable, according to the strain relief in VDE 0628 a lock should be planned, 250 V, 16 A.

Stripping length: 8 mm  
Jacket removal length: 46 mm



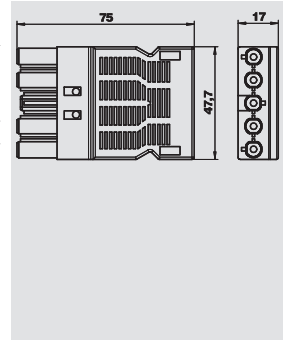
### Socket section 5-pin, screw connection

Type	Colour	Pack.	Weight	Item No.
		pcs	kg/100 pcs.	
<b>BT-S GST18i5p SW</b>	<b>Black</b>	5	4.550	<b>6108 07 2</b>

/pc.

Socket part, 5-pin, type GST18i, with screw connection for 1.5 to 2.5 mm<sup>2</sup> cables, single and fine-wire, with strain relief, one connection per pin, unmounted, for cables H05VV (Ø 9.5 – 13.5) NYM and (Ø 10.5 to 13.5 mm), lockable, according to the strain relief in VDE 0628 a lock should be planned, 250 V, 16 A.

Stripping length: 8 mm  
Jacket removal length: 46 mm





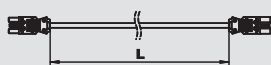
**3-wire connection cable, PVC, cross-section 1.5 mm<sup>2</sup>, black**

Type	Cable length mm	Cross-section mm <sup>2</sup>	Number of poles	Colour	Pack. pcs	Weight kg/100 pcs.	Item No.
VL-3Q1.5 1 SW	1000	1.5	3	Black	1	14.000	6108 10 0
VL-3Q1.5 2 SW	2000	1.5	3	Black	1	28.000	6108 10 1
VL-3Q1.5 3 SW	3000	1.5	3	Black	1	42.000	6108 10 2
VL-3Q1.5 4 SW	4000	1.5	3	Black	1	56.000	6108 10 3
VL-3Q1.5 5 SW	5000	1.5	3	Black	1	70.000	6108 10 4
VL-3Q1.5 6 SW	6000	1.5	3	Black	1	84.000	6108 10 5
VL-3Q1.5 7 SW	7000	1.5	3	Black	1	98.000	6108 10 6
VL-3Q1.5 8 SW	8000	1.5	3	Black	1	112.000	6108 10 7
VL-3Q1.5 9 SW	9000	1.5	3	Black	1	126.000	6108 10 8
VL-3Q1.5 10 SW	10000	1.5	3	Black	1	140.000	6108 10 9
VL-3Q1.5 11 SW	11000	1.5	3	Black	1	154.000	6108 11 0
VL-3Q1.5 12 SW	12000	1.5	3	Black	1	168.000	6108 11 1
VL-3Q1.5 13 SW	13000	1.5	3	Black	1	182.000	6108 11 2
VL-3Q1.5 14 SW	14000	1.5	3	Black	1	196.000	6108 11 3
VL-3Q1.5 15 SW	15000	1.5	3	Black	1	210.000	6108 11 4



/pc.

Connection cable 3 x 1.5 mm<sup>2</sup> in the version socket – connector with GST18i connection system.



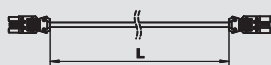
**3-wire connection cable, PVC, cross-section 1.5 mm<sup>2</sup>, white**

Type	Cable length mm	Cross-section mm <sup>2</sup>	Number of poles	Colour	Pack. pcs	Weight kg/100 pcs.	Item No.
VL-3Q1.5 1 W	1000	1.5	3	White	1	14.000	6108 12 5
VL-3Q1.5 2 W	2000	1.5	3	White	1	28.000	6108 12 6
VL-3Q1.5 3 W	3000	1.5	3	White	1	42.000	6108 12 7
VL-3Q1.5 4 W	4000	1.5	3	White	1	56.000	6108 12 8
VL-3Q1.5 5 W	5000	1.5	3	White	1	70.000	6108 12 9
VL-3Q1.5 6 W	6000	1.5	3	White	1	84.000	6108 13 0
VL-3Q1.5 7 W	7000	1.5	3	White	1	98.000	6108 13 1
VL-3Q1.5 8 W	8000	1.5	3	White	1	112.000	6108 13 2
VL-3Q1.5 9 W	9000	1.5	3	White	1	126.000	6108 13 3
VL-3Q1.5 10 W	10000	1.5	3	White	1	140.000	6108 13 4
VL-3Q1.5 11 W	11000	1.5	3	White	1	154.000	6108 13 5
VL-3Q1.5 12 W	12000	1.5	3	White	1	168.000	6108 13 6
VL-3Q1.5 13 W	13000	1.5	3	White	1	182.000	6108 13 7
VL-3Q1.5 14 W	14000	1.5	3	White	1	196.000	6108 13 8
VL-3Q1.5 15 W	15000	1.5	3	White	1	210.000	6108 13 9



/pc.

Connection cable 3 x 1.5 mm<sup>2</sup> in the version socket – connector with GST18i connection system.



**3-wire connection cable, PVC, cross-section 2.5 mm<sup>2</sup>, black**

Type	Cable length mm	Cross-section mm <sup>2</sup>	Number of poles	Colour	Pack. pcs	Weight kg/100 pcs.	Item No.
VL-3Q2.5 1 SW	1000	2.5	3	Black	1	18.000	6108 15 0
VL-3Q2.5 2 SW	2000	2.5	3	Black	1	36.000	6108 15 1
VL-3Q2.5 3 SW	3000	2.5	3	Black	1	54.000	6108 15 2
VL-3Q2.5 4 SW	4000	2.5	3	Black	1	72.000	6108 15 3
VL-3Q2.5 5 SW	5000	2.5	3	Black	1	90.000	6108 15 4
VL-3Q2.5 6 SW	6000	2.5	3	Black	1	108.000	6108 15 5
VL-3Q2.5 7 SW	7000	2.5	3	Black	1	126.000	6108 15 6
VL-3Q2.5 8 SW	8000	2.5	3	Black	1	144.000	6108 15 7
VL-3Q2.5 9 SW	9000	2.5	3	Black	1	162.000	6108 15 8
VL-3Q2.5 10 SW	10000	2.5	3	Black	1	180.000	6108 15 9
VL-3Q2.5 11 SW	11000	2.5	3	Black	1	198.000	6108 16 0
VL-3Q2.5 12 SW	12000	2.5	3	Black	1	216.000	6108 16 1
VL-3Q2.5 13 SW	13000	2.5	3	Black	1	234.000	6108 16 2
VL-3Q2.5 14 SW	14000	2.5	3	Black	1	252.000	6108 16 3
VL-3Q2.5 15 SW	15000	2.5	3	Black	1	270.000	6108 16 4



/pc.

Connection cable 3 x 2.5 mm<sup>2</sup> in the version socket – connector with GST18i connection system.



## Connection cables

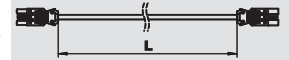


### 3-wire connection cable, PVC, cross-section 2.5 mm<sup>2</sup>, white

Type	Cable length mm	Cross-section mm <sup>2</sup>	Number of poles	Colour	Pack. pcs	Weight kg/100 pcs.	Item No.
VL-3Q2.5 1 W	1000	2.5	3	White	1	18.000	6108 17 5
VL-3Q2.5 2 W	2000	2.5	3	White	1	36.000	6108 17 6
VL-3Q2.5 3 W	3000	2.5	3	White	1	54.000	6108 17 7
VL-3Q2.5 4 W	4000	2.5	3	White	1	72.000	6108 17 8
VL-3Q2.5 5 W	5000	2.5	3	White	1	90.000	6108 17 9
VL-3Q2.5 6 W	6000	2.5	3	White	1	108.000	6108 18 0
VL-3Q2.5 7 W	7000	2.5	3	White	1	126.000	6108 18 1
VL-3Q2.5 8 W	8000	2.5	3	White	1	144.000	6108 18 2
VL-3Q2.5 9 W	9000	2.5	3	White	1	162.000	6108 18 3
VL-3Q2.5 10 W	10000	2.5	3	White	1	180.000	6108 18 4
VL-3Q2.5 11 W	11000	2.5	3	White	1	198.000	6108 18 5
VL-3Q2.5 12 W	12000	2.5	3	White	1	216.000	6108 18 6
VL-3Q2.5 13 W	13000	2.5	3	White	1	234.000	6108 18 7
VL-3Q2.5 14 W	14000	2.5	3	White	1	252.000	6108 18 8
VL-3Q2.5 15 W	15000	2.5	3	White	1	270.000	6108 18 9

/pc.

Connection cable 3 x 2.5 mm<sup>2</sup> in the version socket – connector with GST18i connection system.

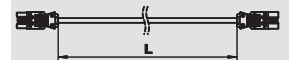


### 3-wire connection cable, halogen-free, cross-section 2.5 mm<sup>2</sup>, black

Type	Cable length mm	Cross-section mm <sup>2</sup>	Number of poles	Colour	Pack. pcs	Weight kg/100 pcs.	Item No.
VL-3Q2.5 H1 SW	1000	2.5	3	Black	1	16.000	6108 45 0
VL-3Q2.5 H2 SW	2000	2.5	3	Black	1	32.000	6108 45 1
VL-3Q2.5 H3 SW	3000	2.5	3	Black	1	48.000	6108 45 2
VL-3Q2.5 H4 SW	4000	2.5	3	Black	1	64.000	6108 45 3
VL-3Q2.5 H5 SW	5000	2.5	3	Black	1	80.000	6108 45 4
VL-3Q2.5 H6 SW	6000	2.5	3	Black	1	96.000	6108 45 5
VL-3Q2.5 H7 SW	7000	2.5	3	Black	1	112.000	6108 45 6
VL-3Q2.5 H8 SW	8000	2.5	3	Black	1	128.000	6108 45 7
VL-3Q2.5 H9 SW	9000	2.5	3	Black	1	144.000	6108 45 8
VL-3Q2.5 H10 SW	10000	2.5	3	Black	1	160.000	6108 45 9
VL-3Q2.5 H11 SW	11000	2.5	3	Black	1	176.000	6108 46 0
VL-3Q2.5 H12 SW	12000	2.5	3	Black	1	192.000	6108 46 1
VL-3Q2.5 H13 SW	13000	2.5	3	Black	1	208.000	6108 46 2
VL-3Q2.5 H14 SW	14000	2.5	3	Black	1	224.000	6108 46 3
VL-3Q2.5 H15 SW	15000	2.5	3	Black	1	240.000	6108 46 4

/pc.

Halogen-free connection cables 3 x 2.5 mm<sup>2</sup> in the version socket – connector with GST18i connection system.



### 3-wire connection cable, halogen-free, cross-section 2.5 mm<sup>2</sup>, white

Type	Cable length mm	Cross-section mm <sup>2</sup>	Number of poles	Colour	Pack. pcs	Weight kg/100 pcs.	Item No.
VL-3Q2.5 H1 W	1000	2.5	3	White	1	16.000	6108 47 5
VL-3Q2.5 H2 W	2000	2.5	3	White	1	32.000	6108 47 6
VL-3Q2.5 H3 W	3000	2.5	3	White	1	48.000	6108 47 7
VL-3Q2.5 H4 W	4000	2.5	3	White	1	64.000	6108 47 8
VL-3Q2.5 H5 W	5000	2.5	3	White	1	80.000	6108 47 9
VL-3Q2.5 H6 W	6000	2.5	3	White	1	96.000	6108 48 0
VL-3Q2.5 H7 W	7000	2.5	3	White	1	112.000	6108 48 1
VL-3Q2.5 H8 W	8000	2.5	3	White	1	128.000	6108 48 2
VL-3Q2.5 H9 W	9000	2.5	3	White	1	144.000	6108 48 3
VL-3Q2.5 H10 W	10000	2.5	3	White	1	160.000	6108 48 4
VL-3Q2.5 H11 W	11000	2.5	3	White	1	176.000	6108 48 5
VL-3Q2.5 H12 W	12000	2.5	3	White	1	192.000	6108 48 6
VL-3Q2.5 H13 W	13000	2.5	3	White	1	208.000	6108 48 7
VL-3Q2.5 H14 W	14000	2.5	3	White	1	224.000	6108 48 8
VL-3Q2.5 H15 W	15000	2.5	3	White	1	240.000	6108 48 9

/pc.

Halogen-free connection cables 3 x 2.5 mm<sup>2</sup> in the version socket – connector with GST18i connection system.





