









Modul 45® systems, data technology solutions

	Data technology support for connection modules, Cat. 5e / Cat. 6	Straight outlet Slanting outlet	116
	Connection modules	Cat. 5e, unshielded Cat. 5e, shielded Cat. 6, unshielded Cat. 6, shielded	116
	CP cross connect	Cat. 6, unshielded Cat. 6, shielded	117
	Data technology support for connection modules, Cat. 6A (ISO)	Straight outlet Slanting outlet	117
	Connection modules	Cat. 6A (ISO), unshielded Cat. 6A (ISO), shielded	118
	CP cross connect	Cat. 6A (ISO), unshielded Cat. 6A (ISO), shielded	118
	Universal data technology support	Straight outlet Slanting outlet	119
	Overview table, installation of data technology modules		32

Data technology connection solution, Modul 45®

Data technology support, 1 module, straight outlet, Type RM

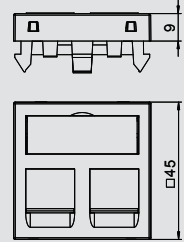


Type	Colour	Pack.	Weight	Item No.
		pcs	kg/100 pcs.	
DTG-2RM RW1	Pure white	1	1.100	6119 29 2
DTG-2RM SWGR1	Black-grey	1	1.100	6119 29 4
DTG-2RM AL1	Aluminium painted	1	1.100	6119 29 6

PC Polycarbonate

Data technology support with straight outlet and locking slider to accept two data technology connection modules with RJ45 socket. The locking fastening is suitable for horizontal and vertical installation in the system environment. Type RM has a special module seat and is designed for indirect fastening of the data connection modules in the mounting opening.

The Type RM data technology support is suitable for accepting the following data connection modules: OBO: Types ASM-C5, ASM-C5 G, ASM-C6 and ASM-C6 G; R&M: Cat.5 and Cat.6 modules without support plate.



Data technology support, 1 module, slanting outlet, Type RM

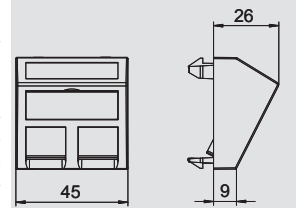


Type	Colour	Pack.	Weight	Item No.
		pcs	kg/100 pcs.	
DTS-2RM RW1	Pure white	1	1.500	6119 29 8
DTS-2RM SWGR1	Black-grey	1	1.500	6119 30 0
DTS-2RM AL1	Aluminium painted	1	1.500	6119 30 2

PC Polycarbonate

Data technology support with slanting outlet and locking slider to accept two data technology connection modules with RJ45 socket. The locking fastening is suitable for horizontal and vertical installation in the system environment. Type RM has a special module seat and is designed for indirect fastening of the data connection modules in the mounting opening.

The Type RM data technology support is suitable for accepting the following data connection modules: OBO: Types ASM-C5, ASM-C5 G, ASM-C6 and ASM-C6 G; R&M: Cat.5 and Cat.6 modules without support plate.



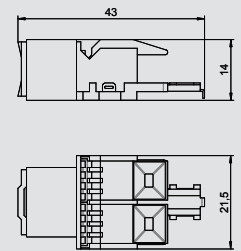
RJ45 data connection module, Cat. 5e, unshielded



Type	Pack.	Weight	Item No.
	pcs	kg/100 pcs.	
ASM-C5	1	1.120	6117 33 7

/pc.

Connection module Cat. 5e unshielded, with a RJ 45 slot. Including a dust cover, a cable tie and mounting instructions. Suitable for installation in data technology supports of type DTG-2RM and DTS-2RM.



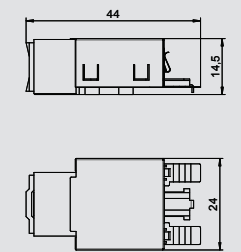
RJ45 data connection module, Cat. 5e, shielded



Type	Pack.	Weight	Item No.
	pcs	kg/100 pcs.	
ASM-C5 G	1	1.920	6117 32 5

/pc.

Connection module Cat 5e shielded, with a RJ 45 slot. Including an EMC screen hood, a dust cover, a cable tie and mounting instructions. Suitable for installation in data technology supports of type DTG-2RM and DTS-2RM.



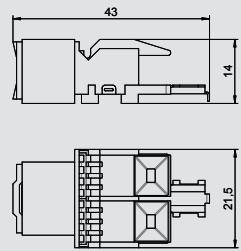
RJ45 data connection module, Cat. 6, unshielded



Type	Pack.	Weight	Item No.
	pcs	kg/100 pcs.	
ASM-C6	1	1.060	6117 34 1

/pc.

Connection module Cat. 6 unshielded, with a RJ 45 slot. Including a dust cover, a cable tie and mounting instructions. Suitable for installation in data technology supports of type DTG-2RM and DTS-2RM.



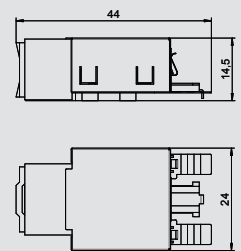
RJ45 data connection module, Cat. 6, shielded

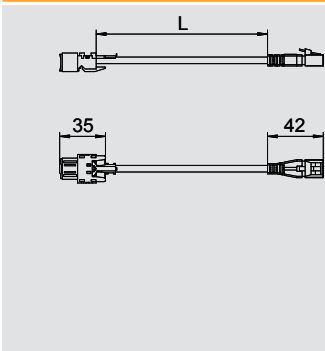


Type	Pack.	Weight	Item No.
	pcs	kg/100 pcs.	
ASM-C6 G	1	1.850	6117 32 9

/pc.

Connection module Cat 6 shielded, with a RJ 45 slot. Including an EMC screen hood, a dust cover, a cable tie and mounting instructions. Suitable for installation in data technology supports of type DTG-2RM and DTS-2RM.





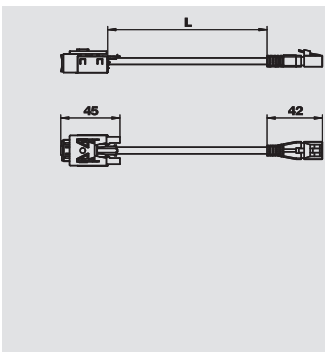
CP universal cable RJ45, Cat. 6, unshielded

Type	Cable length mm	Colour	Pack. pcs	Weight kg/100 pcs.	Item No.
CPK-C6 U/UTP3	3000	Grey	10	11.800	6118 01 2
CPK-C6U UTP5	5000	Grey	10	17.000	6117 94 7
CPK-C6U UTP7.5	7500	Grey	10	23.500	6117 94 9
CPK-C6 U/UTP10	10000	Grey	10	30.000	6118 01 4
CPK-C6 U/UTP15	15000	Grey	5	43.000	6118 01 6



/pc.

Universal cable as extension cable U/UTP 4P, LSZH, Cat. 6, unshielded, connector – socket version, socket side can be installable in the data technology support, types DTG-2RM and DTS-2RM.



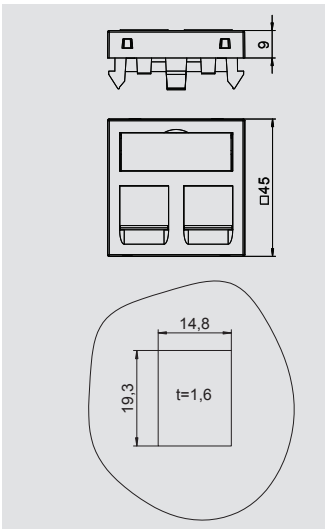
CP universal cable RJ45, Cat. 6, shielded

Type	Cable length mm	Colour	Pack. pcs	Weight kg/100 pcs.	Item No.
CPK-C6 S/FTP3	3000	Grey	10	13.040	6118 01 0
CPK-C6 S/FTP5	5000	Grey	10	20.640	6118 01 1
CPK-C6S FTP7.5	7500	Grey	10	30.140	6117 94 8
CPK-C6S FTP10	10000	Grey	10	39.640	6117 95 0
CPK-C6S FTP15	15000	Grey	5	58.640	6117 95 2



/pc.

Universal cable as extension cable S/FTP 4P, LSFRZH, Cat. 6, shielded, connector – socket version, socket side can be installable in the data technology support, types DTG-2RM and DTS-2RM.



Data technology support, 1 module, straight outlet, Type C

Type	Colour	Pack. pcs	Weight kg/100 pcs.	Item No.
DTG-2C RW1	Pure white	1	1.100	6119 21 4
DTG-2C SWGR1	Black-grey	1	1.100	6119 21 6
DTG-2C AL1	Aluminium painted	1	1.100	6119 21 8

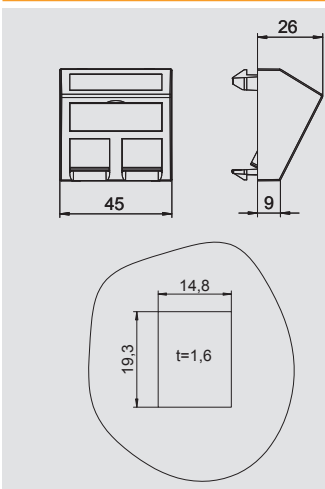


PC Polycarbonate

/pc.

Data technology support with straight outlet and locking slider to accept two data technology connection modules with RJ45 socket. The locking fastening is suitable for horizontal and vertical installation in the system environment. Type C has a mounting opening of 19.30 x 14.80 mm and is designed for direct fastening of the data connection modules in the mounting opening.

The Type C data technology support is suitable for accepting the following data connection modules: BTR (Keystone design): Cat.6A module, E-DAT module and UAE module; Corning: Modules with Keystone seat; Dätwyler: KS-T, MS-K and KU-T; EKV: E-Stone; Harting: Prelink Keystone Cat.6; Leoni Kerpen: MegaLine Keystone Cat.6A; OBO: Type ASM-C6A and ASM-C6A G; R&M: Cat.6A with Keystone fastening; Rutenbeck: UM and UMflex; SETEC: UKJ and XKJ; Telegärtner: AMJ and UMJ.



Data technology support, 1 module, slanting outlet, Type C

Type	Colour	Pack. pcs	Weight kg/100 pcs.	Item No.
DTS-2C RW1	Pure white	1	1.500	6119 25 0
DTS-2C SWGR1	Black-grey	1	1.500	6119 25 2
DTS-2C AL1	Aluminium painted	1	1.500	6119 25 4



PC Polycarbonate

/pc.

Data technology support with slanting outlet and locking slider to accept two data technology connection modules with RJ45 socket. The locking fastening is suitable for horizontal and vertical installation in the system environment. Type C has a mounting opening of 19.30 x 14.80 mm and is designed for direct fastening of the data connection modules in the mounting opening.

The Type C data technology support is suitable for accepting the following data connection modules: BTR (Keystone design): Cat.6A module, E-DAT module and UAE module; Corning: Modules with Keystone seat; Dätwyler: KS-T, MS-K and KU-T; EKV: E-Stone; Harting: Prelink Keystone Cat.6; Leoni Kerpen: MegaLine Keystone Cat.6A; OBO: Type ASM-C6A and ASM-C6A G; R&M: Cat.6A with Keystone fastening; Rutenbeck: UM and UMflex; SETEC: UKJ and XKJ; Telegärtner: AMJ and UMJ.

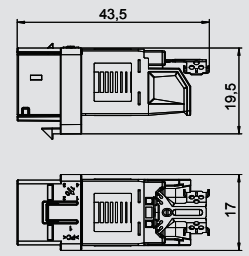
Data technology connection solution, Modul 45®

RJ45 data connection module, Cat. 6A (ISO), unshielded



Type	Pack.	Weight	Item No.
	pcs	kg/100 pcs.	
ASM-C6A	1	1.050	6117 34 8

Connection module Cat. 6A (ISO) unshielded, with a RJ 45 slot. Including a dust cover, a cable tie, a Keystone fastening frame and mounting instructions. Suitable for installation in the data technology supports of type DTG-2C and DTS-2C, support plate of type MTM 2C and MTM 3C, mounting plate of type MPR2 2C, mounting supports of type MTGE2 2C, MTGE2 15 2C and MTGE2 F 2C.

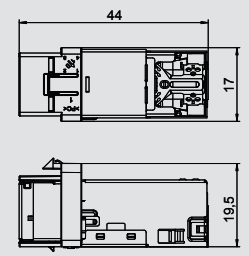


RJ45 data connection module, Cat. 6A (ISO), shielded



Type	Pack.	Weight	Item No.
	pcs	kg/100 pcs.	
ASM-C6A G	1	1.630	6117 34 6

Connection module Cat 6A (ISO) shielded, with a RJ 45 slot. Including an EMC screen hood, a dust cover, a cable tie, a Keystone fastening frame and mounting instructions. Suitable for installation in the data technology supports of type DTG-2C and DTS-2C, support plate of type MTM 2C and MTM 3C, mounting plate of type MPR2 2C, mounting supports of type MTGE2 2C, MTGE2 15 2C and MTGE2 F 2C.

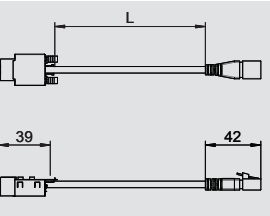


CP universal cable RJ45, Cat. 6A (ISO), unshielded



Type	Cable length mm	Colour	Pack.	Weight	Item No.
			pcs	kg/100 pcs.	
CPK-C6A U/UTP3	3000	Grey	10	11.800	6118 02 8
CPK-C6A U/UTP5	5000	Grey	10	17.000	6118 03 0
CPK-C6A U/UTP7,5	7500	Grey	10	23.500	6118 03 2
CPK-C6A U/UTP10	10000	Grey	10	30.000	6118 03 4
CPK-C6A U/UTP15	15000	Grey	5	43.000	6118 03 6

Universal cable as extension cable U/UTP 4P, LSZH, Cat. 6A (ISO), unshielded, connector – socket version, socket side can be installable in the data technology support, types DTG-2RM and DTS-2RM.

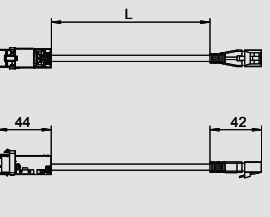


CP universal cable RJ45, Cat. 6A (ISO), shielded



Type	Cable length mm	Colour	Pack.	Weight	Item No.
			pcs	kg/100 pcs.	
CPK-C6A S/FTP3	3000	Grey	10	13.040	6118 01 8
CPK-C6A S/FTP5	5000	Grey	10	20.640	6118 02 0
CPK-C6A S/FTP7,5	7500	Grey	10	30.140	6118 02 2
CPK-C6A S/FTP10	10000	Grey	10	35.640	6118 02 4
CPK-C6A S/FTP15	15000	Grey	5	58.640	6118 02 6

Universal cable as extension cable S/FTP 4P, LSFRZH, Cat. 6A (ISO), shielded, connector – socket version, socket side can be installable in the data technology support, types DTG-2C and DTS-2C.



Data technology support, 1 module, straight outlet, Type A

Type	Colour		Pack.	Weight	Item No.
			pcs	kg/100 pcs.	
DTG-2A RW1	Pure white		1	1.100	6119 20 2
DTG-2A SWGR1	Black-grey		1	1.100	6119 20 4
DTG-2A AL1	Aluminium painted		1	1.100	6119 20 6

PC Polycarbonate /pc.

Data technology support with straight outlet and locking slider to accept two data technology connection modules with RJ45 socket. The locking fastening is suitable for horizontal and vertical installation in the system environment. Type A has a mounting opening of 20.10 x 14.80 mm and is designed for direct fastening of the data connection modules in the mounting opening.

The Type A data technology support is suitable for accepting the following data connection modules: AMP TYCO (without dust protection cap); SL Series 110Connect and SL Series Toolless; Brand-Rex: modules with item numbers ending in ...JAKS000CR and ...JAKU002; Nexans: LANmark RJ45 with blue adapter clip, LANmark GG45 with metal clip.



Data technology support, 1 module, slanting outlet, Type A

Type	Colour		Pack.	Weight	Item No.
			pcs	kg/100 pcs.	
DTS-2A RW1	Pure white		1	1.500	6119 23 8
DTS-2A SWGR1	Black-grey		1	1.500	6119 24 0
DTS-2A AL1	Aluminium painted		1	1.500	6119 24 2

PC Polycarbonate /pc.

Data technology support with slanting outlet and locking slider to accept two data technology connection modules with RJ45 socket. The locking fastening is suitable for horizontal and vertical installation in the system environment. Type A has a mounting opening of 20.10 x 14.80 mm and is designed for direct fastening of the data connection modules in the mounting opening.

The Type A data technology support is suitable for accepting the following data connection modules: AMP TYCO (without dust protection cap); SL Series 110Connect and SL Series Toolless; Brand-Rex: modules with item numbers ending in ...JAKS000CR and ...JAKU002; Nexans: LANmark RJ45 with blue adapter clip, LANmark GG45 with metal clip.



Data technology support, 1 module, straight outlet, Type B

Type	Colour		Pack.	Weight	Item No.
			pcs	kg/100 pcs.	
DTG-2B RW1	Pure white		1	1.100	6119 20 8
DTG-2B SWGR1	Black-grey		1	1.100	6119 21 0
DTG-2B AL1	Aluminium painted		1	1.100	6119 21 2

PC Polycarbonate /pc.

Data technology support with straight outlet and locking slider to accept two data technology connection modules with RJ45 socket. The locking fastening is suitable for horizontal and vertical installation in the system environment. Type B has a mounting opening of 19.35/21.55 x 14.85 mm and is designed for direct fastening of the data connection modules in the mounting opening.

The Type B data technology support is suitable for accepting the following data connection modules: BTR (module design): Cat.6A module and UTP module; Dätwyler: MS and MS-N.



Universal data technology support for Modul 45®



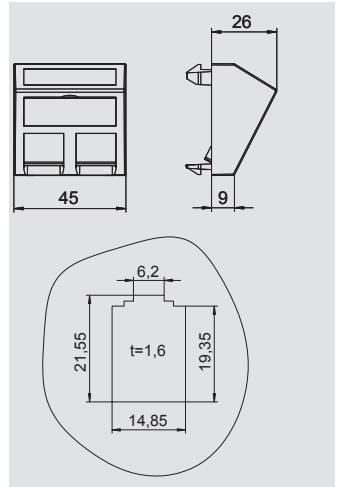
Data technology support, 1 module, slanting outlet, Type B

Type	Colour	Pack.	Weight	Item No.
		pcs	kg/100 pcs.	
DTS-2B RW1	Pure white	1	1.500	6119 24 4
DTS-2B SWGR1	Black-grey	1	1.500	6119 24 6
DTS-2B AL1	Aluminium painted	1	1.500	6119 24 8

PC Polycarbonate /pc.

Data technology support with slanting outlet and locking slider to accept two data technology connection modules with RJ45 socket. The locking fastening is suitable for horizontal and vertical installation in the system environment. Type B has a mounting opening of 19.35/21.55 x 14.85 mm and is designed for direct fastening of the data connection modules in the mounting opening.

The Type B data technology support is suitable for accepting the following data connection modules: BTR (module design): Cat.6A module and UTP module; Dätwyler: MS and MS-N.



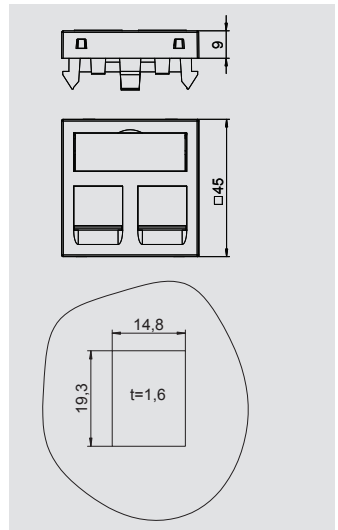
Data technology support, 1 module, straight outlet, Type C

Type	Colour	Pack.	Weight	Item No.
		pcs	kg/100 pcs.	
DTG-2C RW1	Pure white	1	1.100	6119 21 4
DTG-2C SWGR1	Black-grey	1	1.100	6119 21 6
DTG-2C AL1	Aluminium painted	1	1.100	6119 21 8

PC Polycarbonate /pc.

Data technology support with straight outlet and locking slider to accept two data technology connection modules with RJ45 socket. The locking fastening is suitable for horizontal and vertical installation in the system environment. Type C has a mounting opening of 19.30 x 14.80 mm and is designed for direct fastening of the data connection modules in the mounting opening.

The Type C data technology support is suitable for accepting the following data connection modules: BTR (Keystone design): Cat.6A module, E-DAT module and UAE module; Corning: Modules with Keystone seat; Dätwyler: KS-T, MS-K and KU-T; ECU: E-Stone; Harting: Prelink Keystone Cat.6; Leoni Kerpen: MegaLine Keystone Cat.6A; OBO: Type ASM-C6A and ASM-C6A G; R&M: Cat.6A with Keystone fastening; Rutenbeck: UM and UMflex; SETEC: UKJ and XKJ; Telegärtner: AMJ and UMJ.



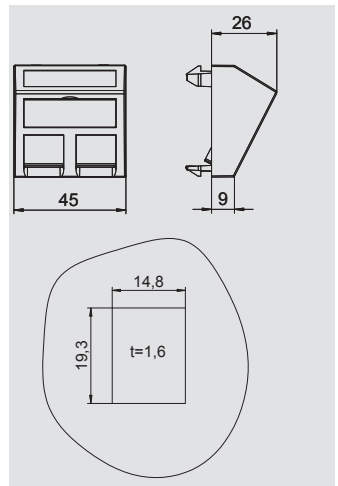
Data technology support, 1 module, slanting outlet, Type C

Type	Colour	Pack.	Weight	Item No.
		pcs	kg/100 pcs.	
DTS-2C RW1	Pure white	1	1.500	6119 25 0
DTS-2C SWGR1	Black-grey	1	1.500	6119 25 2
DTS-2C AL1	Aluminium painted	1	1.500	6119 25 4

PC Polycarbonate /pc.

Data technology support with slanting outlet and locking slider to accept two data technology connection modules with RJ45 socket. The locking fastening is suitable for horizontal and vertical installation in the system environment. Type C has a mounting opening of 19.30 x 14.80 mm and is designed for direct fastening of the data connection modules in the mounting opening.

The Type C data technology support is suitable for accepting the following data connection modules: BTR (Keystone design): Cat.6A module, E-DAT module and UAE module; Corning: Modules with Keystone seat; Dätwyler: KS-T, MS-K and KU-T; ECU: E-Stone; Harting: Prelink Keystone Cat.6; Leoni Kerpen: MegaLine Keystone Cat.6A; OBO: Type ASM-C6A and ASM-C6A G; R&M: Cat.6A with Keystone fastening; Rutenbeck: UM and UMflex; SETEC: UKJ and XKJ; Telegärtner: AMJ and UMJ.



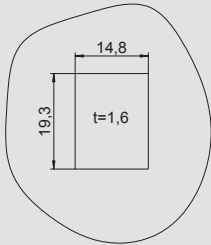
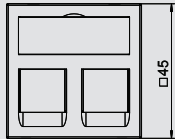
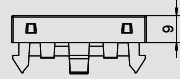
Data technology support, 1 module, straight outlet, Type C, without dust protection slider

Type	Colour	Pack.	Weight	Item No.
DTG-02C RW1	Pure white	1	1.000	6119 28 0
DTG-02C SWGR1	Black-grey	1	1.000	6119 28 2
DTG-02C AL1	Aluminium painted	1	1.000	6119 28 4

PC Polycarbonate

Data technology support with straight outlet and without a locking slider to accept two data technology connection modules with RJ45 socket. The locking fastening is suitable for horizontal and vertical installation in the system environment. Type C has a mounting opening of 19.30 x 14.80 mm and is designed for direct fastening of the data connection modules in the mounting opening.

The Type C data technology support (without dust protection slider) is suitable for accepting the following data connection modules: 3M: Volition K6, K10 and CAT6A.



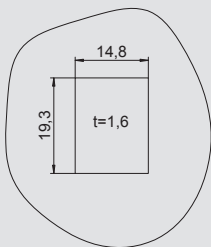
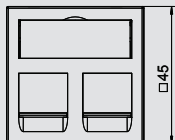
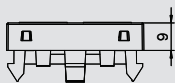
Data technology support, 1 module, slanting outlet, Type C, without dust protection slider

Type	Colour	Pack.	Weight	Item No.
DTS-02C RW1	Pure white	1	1.400	6119 28 6
DTS-02C SWGR1	Black-grey	1	1.400	6119 28 8
DTS-02C AL1	Aluminium painted	1	1.400	6119 29 0

PC Polycarbonate

Data technology support with slanting outlet and without a locking slider to accept two data technology connection modules with RJ45 socket. The locking fastening is suitable for horizontal and vertical installation in the system environment. Type C has a mounting opening of 19.30 x 14.80 mm and is designed for direct fastening of the data connection modules in the mounting opening.

The Type C data technology support (without dust protection slider) is suitable for accepting the following data connection modules: 3M: Volition K6, K10 and CAT6A.



Data technology support, 1 module, straight outlet, Type EP

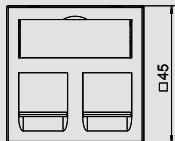
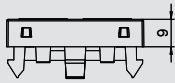
Type	Colour	Pack.	Weight	Item No.
DTG-2EP RW1	Pure white	1	1.100	6119 23 2
DTG-2EP SWGR1	Black-grey	1	1.100	6119 23 4
DTG-2EP AL1	Aluminium painted	1	1.100	6119 23 6

PC Polycarbonate

/pc.

Data technology support with straight outlet and locking slider to accept two data technology connection modules with RJ45 socket. The locking fastening is suitable for horizontal and vertical installation in the system environment. Type EP has a special module seat and is designed for indirect fastening of the data connection modules in the mounting opening.

The Type EP data technology support is suitable for accepting the following data connection modules: Leoni Kerpen: ELine 500 plus (without dust protection cap).



Data technology support, 1 module, slanting outlet, Type EP

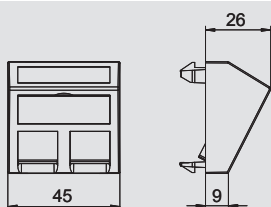
Type	Colour	Pack.	Weight	Item No.
DTS-2EP RW1	Pure white	1	1.500	6119 26 8
DTS-2EP SWGR1	Black-grey	1	1.500	6119 27 0
DTS-2EP AL1	Aluminium painted	1	1.500	6119 27 2

PC Polycarbonate

/pc.

Data technology support with slanting outlet and locking slider to accept two data technology connection modules with RJ45 socket. The locking fastening is suitable for horizontal and vertical installation in the system environment. Type EP has a special module seat and is designed for indirect fastening of the data connection modules in the mounting opening.

The Type EP data technology support is suitable for accepting the following data connection modules: Leoni Kerpen: ELine 500 plus (without dust protection cap).



Universal data technology support for Modul 45®

Data technology support, 1 module, straight outlet, Type F

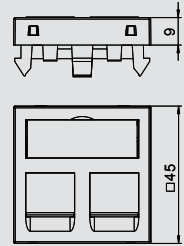


Type	Colour	Pack.	Weight	Item No.
		pcs	kg/100 pcs.	
DTG-2F RW1	Pure white	1	1.100	6119 22 0
DTG-2F SWGR1	Black-grey	1	1.100	6119 22 2
DTG-2F AL1	Aluminium painted	1	1.100	6119 22 4

PC Polycarbonate /pc.

Data technology support with straight outlet and locking slider to accept two data technology connection modules with RJ45 socket. The locking fastening is suitable for horizontal and vertical installation in the system environment. Type F has a special module seat and is designed for indirect fastening of the data connection modules in the mounting opening.

The Type F data technology support is suitable for accepting the following data connection modules: Avaya/Systemax: M series.



Data technology support, 1 module, slanting outlet, Type F

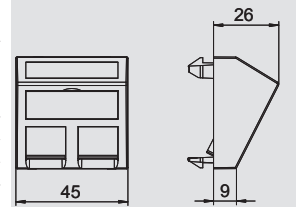


Type	Colour	Pack.	Weight	Item No.
		pcs	kg/100 pcs.	
DTS-2F RW1	Pure white	1	1.500	6119 25 6
DTS-2F SWGR1	Black-grey	1	1.500	6119 25 8
DTS-2F AL1	Aluminium painted	1	1.500	6119 26 0

PC Polycarbonate /pc.

Data technology support with slanting outlet and locking slider to accept two data technology connection modules with RJ45 socket. The locking fastening is suitable for horizontal and vertical installation in the system environment. Type F has a special module seat and is designed for indirect fastening of the data connection modules in the mounting opening.

The Type F data technology support is suitable for accepting the following data connection modules: Avaya/Systemax: M series.



Data technology support, 1 module, straight outlet, Type PA

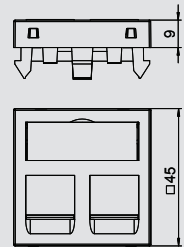


Type	Colour	Pack.	Weight	Item No.
		pcs	kg/100 pcs.	
DTG-2PA RW1	Pure white	1	1.100	6119 22 6
DTG-2PA SWGR1	Black-grey	1	1.100	6119 22 8
DTG-2PA AL1	Aluminium painted	1	1.100	6119 23 0

PC Polycarbonate /pc.

Data technology support with straight outlet and locking slider to accept two data technology connection modules with RJ45 socket. The locking fastening is suitable for horizontal and vertical installation in the system environment. Type PA has a special module seat and is designed for indirect fastening of the data connection modules in the mounting opening.

The Type PA data technology support is suitable for accepting the following data connection modules: Panduit: Mini-Com.



Data technology support, 1 module, slanting outlet, Type PA

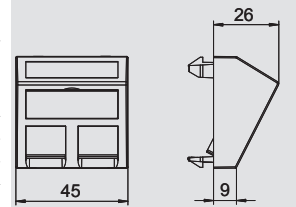


Type	Colour	Pack.	Weight	Item No.
		pcs	kg/100 pcs.	
DTS-2PA RW1	Pure white	1	1.500	6119 26 2
DTS-2PA SWGR1	Black-grey	1	1.500	6119 26 4
DTS-2PA AL1	Aluminium painted	1	1.500	6119 26 6

PC Polycarbonate /pc.

Data technology support with slanting outlet and locking slider to accept two data technology connection modules with RJ45 socket. The locking fastening is suitable for horizontal and vertical installation in the system environment. Type PA has a special module seat and is designed for indirect fastening of the data connection modules in the mounting opening.

The Type PA data technology support is suitable for accepting the following data connection modules: Panduit: Mini-Com.



Data technology support, 1 module, straight outlet, Type RM

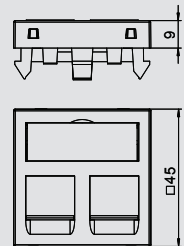


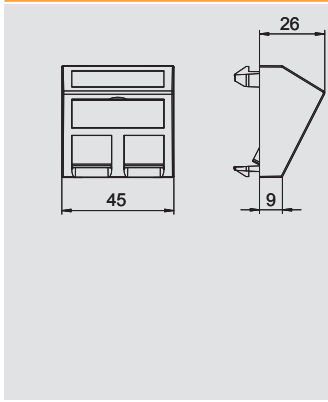
Type	Colour	Pack.	Weight	Item No.
		pcs	kg/100 pcs.	
DTG-2RM RW1	Pure white	1	1.100	6119 29 2
DTG-2RM SWGR1	Black-grey	1	1.100	6119 29 4
DTG-2RM AL1	Aluminium painted	1	1.100	6119 29 6

PC Polycarbonate

Data technology support with straight outlet and locking slider to accept two data technology connection modules with RJ45 socket. The locking fastening is suitable for horizontal and vertical installation in the system environment. Type RM has a special module seat and is designed for indirect fastening of the data connection modules in the mounting opening.

The Type RM data technology support is suitable for accepting the following data connection modules: OBO: Types ASM-C5, ASM-C5 G, ASM-C6 and ASM-C6 G; R&M: Cat.5 and Cat.6 modules without support plate.





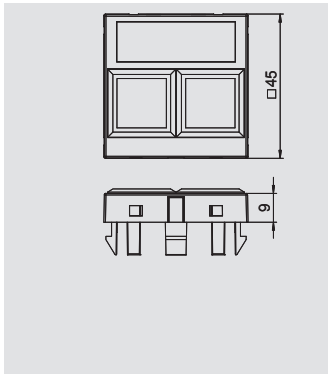
Data technology support, 1 module, slanting outlet, Type RM

Type	Colour		Pack.	Weight	Item No.
			pcs	kg/100 pcs.	
DTS-2RM RW1	Pure white		1	1.500	6119 29 8
DTS-2RM SWGR1	Black-grey		1	1.500	6119 30 0
DTS-2RM AL1	Aluminium painted		1	1.500	6119 30 2

PC Polycarbonate

Data technology support with slanting outlet and locking slider to accept two data technology connection modules with RJ45 socket. The locking fastening is suitable for horizontal and vertical installation in the system environment. Type RM has a special module seat and is designed for indirect fastening of the data connection modules in the mounting opening.

The Type RM data technology support is suitable for accepting the following data connection modules: OBO: Types ASM-C5, ASM-C5 G, ASM-C6 and ASM-C6 G; R&M: Cat.5 and Cat.6 modules without support plate.



Data technology support, 1 module, straight outlet, Type LE

Type	Colour		Pack.	Weight	Item No.
			pcs	kg/100 pcs.	
DTG-02LE RW1	Pure white		1	0.900	6119 30 4
DTG-02LE SWGR1	Black-grey		1	0.900	6119 30 6
DTG-02LE AL1	Aluminium painted		1	0.900	6119 30 8

PC Polycarbonate

Data technology support with straight outlet and without a locking slider to accept two data technology connection modules with RJ45 socket. The locking fastening is suitable for horizontal and vertical installation in the system environment. Type LE has a special module seat and is designed for indirect fastening of the data connection modules in the mounting opening.

The Type LE data technology support is suitable for accepting the following data connection modules: LexCom/Schneider: LexCom 125, LexCom 250 and LexCom 500.

