

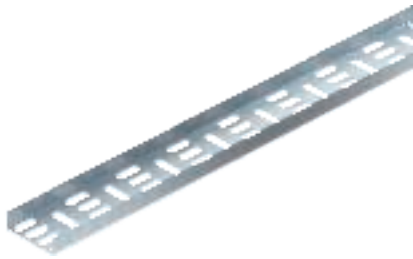


## Marine systems

## Marine systems

	<b>Cable tray systems</b>	504
	<b>Cable ladder systems</b>	508
	<b>Tightening strap</b>	516
	<b>Mounting systems</b>	520

Cable tray, marine standard



Type	Width mm	Plate thickness mm	Pack. m	Weight kg/100 m	Item No.
MKR 15 050 FS	50	1	2	49,000	6045952
MKR 15 075 FS	75	1	2	64,000	6045960
MKR 15 100 FS	100	1	2	76,000	6045979
MKR 15 150 FS	150	1	2	104,000	6045995
MKR 15 200 FS	200	1	2	131,000	6046002
MKR 15 300 FS	300	1.5	2	275,000	6046029
MKR 15 050 FT	50	1.25	2	65,500	6045057
MKR 15 075 FT	75	1.25	2	84,700	6045073
MKR 15 100 FT	100	1.25	2	104,000	6045103
MKR 15 125 FT	125	1.25	2	125,500	6045138
MKR 15 150 FT	150	1.5	2	162,500	6045154
MKR 15 200 FT	200	1.5	2	205,500	6045200
MKR 15 250 FT	250	1.5	2	253,000	6045251
MKR 15 300 FT	300	1.5	2	292,700	6045308

St Steel

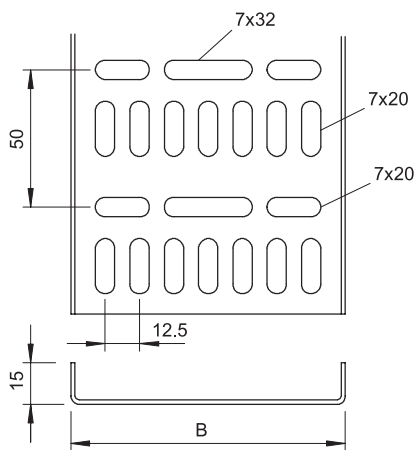
FS Strip-galvanised FT Hot-dip galvanised

/m

The cable tray is manufactured according to the VG standard 88900. The side rail of the cable track is unperforated. Also available in 1.25 mm on request.

Perforated metal cable tray according to marine standard. Cable tray with 7 x 20 mm base perforation for cable ventilation and simplified mounting.

Dimensions



Type	Length mm	Width mm	Dimen- sion B mm	Side height mm
MKR 15 050 FS	2000	50	50	15
MKR 15 075 FS	2000	75	75	15
MKR 15 100 FS	2000	100	100	15
MKR 15 150 FS	2000	150	150	15
MKR 15 200 FS	2000	200	200	15
MKR 15 300 FS	2000	300	300	15

Cable tray, marine standard

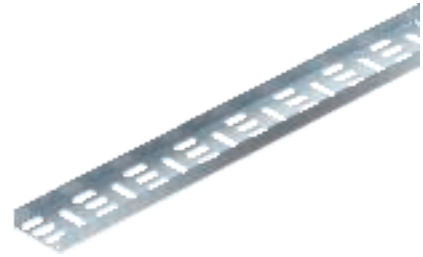
Type	Width mm	Plate thickness mm	Pack. m	Weight kg/100 m	Item No.
<b>MKR 15 050 ALU</b>	50	1.25	2	25,500	<b>6045707</b>
<b>MKR 15 075 ALU</b>	75	1.25	2	33,000	<b>6045715</b>
<b>MKR 15 100 ALU</b>	100	1.25	2	39,500	<b>6045723</b>
<b>MKR 15 150 ALU</b>	150	1.5	2	70,500	<b>6045758</b>
<b>MKR 15 200 ALU</b>	200	1.5	2	89,500	<b>6045766</b>
<b>MKR 15 250 ALU</b>	250	1.5	2	108,000	<b>6045774</b>

Alu Aluminium

/m

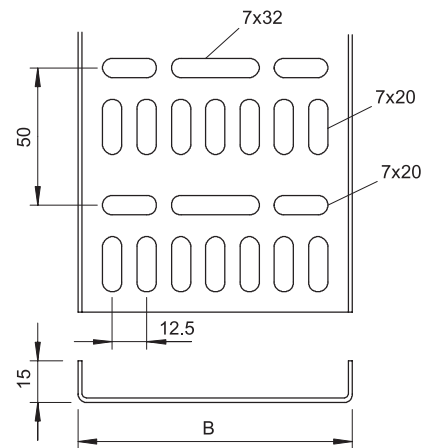
The cable tray is manufactured according to the VG standard 88900. The side rail of the cable track is unperforated.

Perforated metal cable tray according to marine standard. Cable tray with 7 x 20 mm base perforation for cable ventilation and simplified mounting.

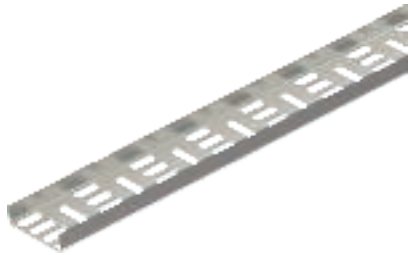


Type	Length mm	Width mm	Dimen- sion B mm	Side height mm
<b>MKR 15 050 ALU</b>	2000	50	50	15
<b>MKR 15 075 ALU</b>	2000	75	75	15
<b>MKR 15 100 ALU</b>	2000	100	100	15
<b>MKR 15 150 ALU</b>	2000	150	150	15
<b>MKR 15 200 ALU</b>	2000	200	200	15
<b>MKR 15 250 ALU</b>	2000	250	250	15

Dimensions



Cable tray, marine standard



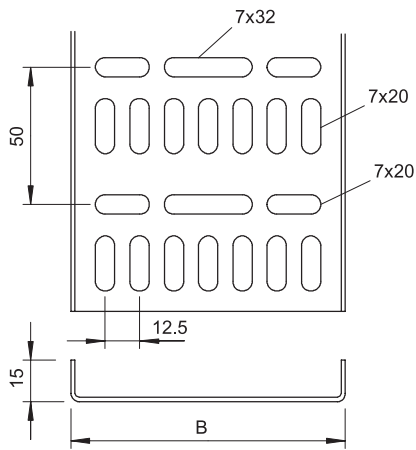
Type	Plate		Pack. m	Weight kg/100 m	Item No.
	Width mm	thickness mm			
MKR 15 050VA4301	50	1.25	2	61,250	6045830
MKR 15 075VA4301	75	1.25	2	80,000	6045832
MKR 15 100VA4301	100	1.25	2	95,000	6045834
MKR 15 150VA4301	150	1.5	2	156,000	6045838
MKR 15 200VA4301	200	1.5	2	196,500	6045840
MKR 15 300VA4301	300	1.5	2	275,000	6045844
MKR 15 050VA4571	50	1.25	2	49,000	6045850
MKR 15 075VA4571	75	1.25	2	64,000	6045852
MKR 15 100VA4571	100	1.25	2	76,000	6045854
MKR 15 150VA4571	150	1.5	2	156,000	6045858
MKR 15 200VA4571	200	1.5	2	196,500	6045860
MKR 15 300VA4571	300	1.5	2	275,000	6045864

V2A Stainless steel, grade 304 V4A Stainless steel, grade 316 Ti /m

The cable tray is manufactured according to the VG standard 88900. The side rail of the cable track is unperforated.

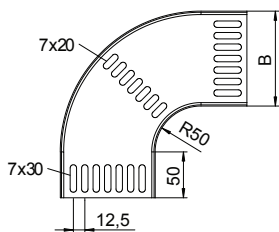
Perforated metal cable tray according to marine standard. Cable tray with 7 x 20 mm base perforation for cable ventilation and simplified mounting.

Dimensions



Type	Length mm	Width mm	Dimension	
			B mm	Side height mm
MKR 15 050VA4301	2000	50	50	15
MKR 15 075VA4301	2000	75	75	15
MKR 15 100VA4301	2000	100	100	15
MKR 15 150VA4301	2000	150	150	15
MKR 15 200VA4301	2000	200	200	15
MKR 15 300VA4301	2000	300	300	15

Bend 90°



Type	Width mm	Pack. pcs	Weight kg/100 pcs.	Item No.
RB 90 75 075 FS	76	1	21,300	7061050
RB 90 75 100 FS	101	1	28,400	7061244
RB 90 75 125 FS	126	1	56,500	7061252
RB 90 75 150 FS	151	1	73,300	7061360
RB 90 75 200 FS	201	1	102,400	7061449
RB 90 75 250 FS	252	1	163,800	7061546
RB 90 75 300 FS	302	1	206,000	7061643
RB 90 75 050 FT	51	1	16,000	7061145
RB 90 75 075 FT	76	1	23,280	7061048
RB 90 75 100 FT	101	1	31,090	7061242
RB 90 75 200 FT	201	1	110,600	7061447
RB 90 75 250 FT	252	1	176,900	7061544
RB 90 75 300 FT	302	1	222,480	7061641

St Steel FS Strip-galvanised FT Hot-dip galvanised

90° bend, horizontal, for all ship construction cable tray types according to the marine standard of 15 mm side height.

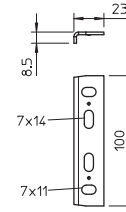
## Screw connector

Type	Dimension mm	Pack. pcs	Weight kg/100 pcs.	Item No.
<b>SV MKR FS</b>	16 x 29 x 60	25	4,900	<b>6066242</b>
<b>SV MKR FT</b>	16 x 29 x 60	25	5,000	<b>6066240</b>

**St** Steel

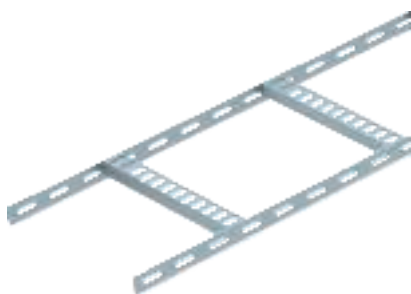
**FS** Strip-galvanised **FT** Hot-dip galvanised

Straight connector for straight connection of cable trays, according to the marine standard, and fittings with a side height of 15 mm.





Cable ladder, light duty



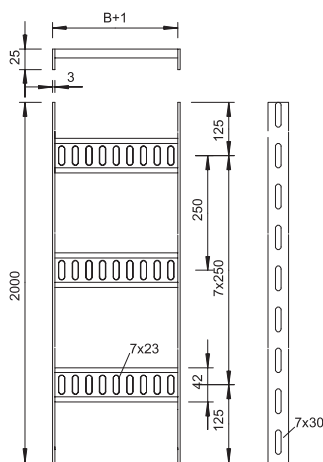
Type	Width mm	Rail thickness mm	Pack. m	Weight kg/100 m	Item No.
SL 42 075 FT	75	3	2	114,000	7097115
SL 42 100 FT	100	3	2	118,000	7097123
SL 42 150 FT	150	3	2	125,000	7097131
SL 42 200 FT	200	3	2	132,500	7097158
SL 42 250 FT	250	3	2	140,000	7097166
SL 42 300 FT	300	3	2	147,500	7097174

SI Steel /m  
 FT Hot-dip galvanised

The marine cable ladder, including fittings, is also available in stainless steel on request. Powder coating according to RAL colours possible.

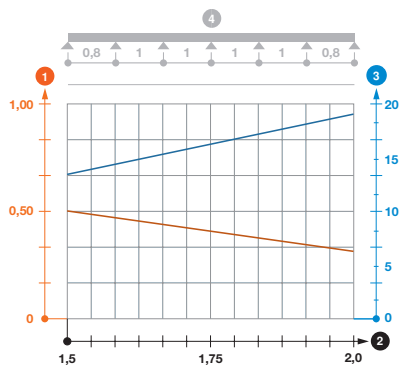
Marine cable ladder with perforated side rail of side height 25 mm with welded, perforated trapezoidal rungs which open in a downwards direction. Load tested according to IEC in conjunction with connector, type SLV.

Dimensions



Type	Length mm	Width mm	Side height mm	Rail thickness mm
SL 42 075 FT	2000	75	25	3
SL 42 100 FT	2000	100	25	3
SL 42 150 FT	2000	150	25	3
SL 42 200 FT	2000	200	25	3
SL 42 250 FT	2000	250	25	3
SL 42 300 FT	2000	300	25	3

Load



Type	1.5 m kN/m	2.0 m kN/m
SL 42 075 FT	0.5	0.36
SL 42 100 FT	0.5	0.36
SL 42 150 FT	0.5	0.36
SL 42 200 FT	0.5	0.36
SL 42 250 FT	0.5	0.36
SL 42 300 FT	0.5	0.36

Load diagram, cable ladder, light duty SL42

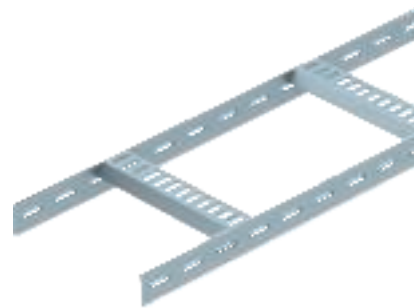
- ① Permitted cable tray/ladder load in kN/m without man load
- ② Support width in m
- ③ Rail bend in mm at permitted kN/m
- Load curve with cable tray/ladder width in mm
- Strut bend curve according to support width
- ④ Load scheme during testing

## Cable ladder, standard

Type	Width mm	Rail thickness mm	Pack. m	Weight kg/100 m	Item No.
SL 62 110 FT	110	5	3	307,300	7097409
SL 62 160 FT	160	5	3	314,300	7097417
SL 62 210 FT	210	5	3	342,700	7097425
SL 62 310 FT	310	5	3	378,000	7097433
SL 62 410 FT	410	5	3	413,000	7097441
SL 62 510 FT	510	5	3	448,700	7097468
SL 62 610 FT	610	5	3	483,700	7097476

St Steel

FT Hot-dip galvanised

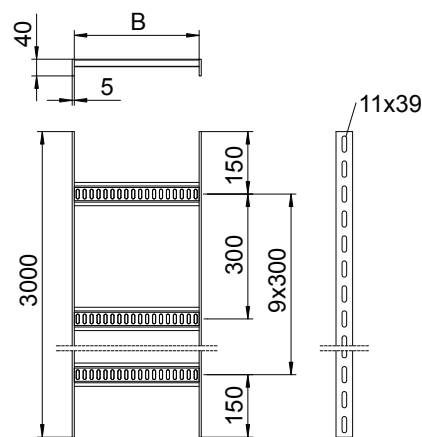


The marine cable ladder, including fittings, is also available in stainless steel on request. Powder coating according to RAL colours possible.

Marine cable ladder with perforated side rail of side height 40 mm with welded, perforated trapezoidal rungs which open in a downwards direction. Load tested according to IEC in conjunction with connector, type SLV.

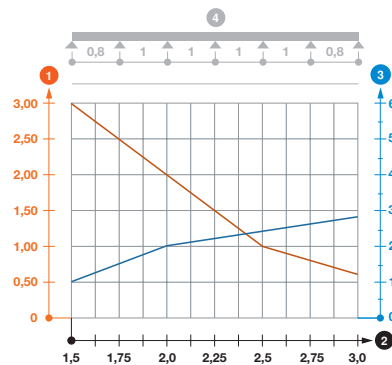
Type	Length mm	Width mm	Side height mm	Rail thickness mm
SL 62 110 FT	3000	110	40	5
SL 62 160 FT	3000	160	40	5
SL 62 210 FT	3000	210	40	5
SL 62 310 FT	3000	310	40	5
SL 62 410 FT	3000	410	40	5
SL 62 510 FT	3000	510	40	5
SL 62 610 FT	3000	610	40	5

### Dimensions



Type	1.5 m kN/m	2.0 m kN/m	2.5 m kN/m	3.0 m kN/m
SL 62 110 FT	3	2	1	0.6
SL 62 160 FT	3	2	1	0.6
SL 62 210 FT	3	2	1	0.6
SL 62 310 FT	3	2	1	0.6
SL 62 410 FT	3	2	1	0.6
SL 62 510 FT	3	2	1	0.6
SL 62 610 FT	3	2	1	0.6

### Load



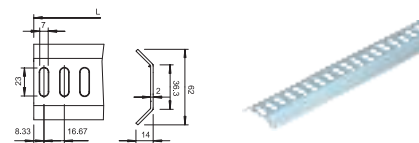
### Load diagram, cable ladder SL62

- 1 Permitted cable tray/ladder load in kN/m without man load
- 2 Support width in m
- 3 Rail bend in mm at permitted kN/m
- Load curve with cable tray/ladder width in mm
- Strut bend curve according to support width
- 4 Load scheme during testing

Type	Length mm	Pack. m	Weight kg/100 m	Item No.
SLSP 62 300 SG	3000	3	98,900	7102674
SLSP 62 300 FT	3000	3	104,800	7102771

St Steel

SG welding primed FT Hot-dip galvanised

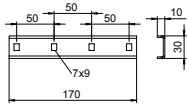


Light-duty rung with 7 x 23 mm perforation. For welding in cable ladders, type SL 62, and for static constructions.

## Rung, standard



## Connector



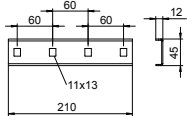
Type	Width mm	Pack. Weight		Item No.
		pcs	kg/100 pcs.	
<b>SLV 42 FT</b>	42	20	11,900	<b>7103540</b>

- St** Steel /pc.
- FT** Hot-dip galvanised

The bolt fastening ensures the continuity of the equipotential bonding.

Straight connector as external connector to connect cable ladders and fittings with a side height of 25 mm.

## Connector



Type	Width mm	Pack. Weight		Item No.
		pcs	kg/100 pcs.	
<b>SLV 62 FT</b>	62	10	20,900	<b>7103548</b>

- St** Steel /pc.
- FT** Hot-dip galvanised

The bolt fastening ensures the continuity of the equipotential bonding.

Straight connector as external connector to connect cable ladders and fittings with a side height of 40 mm.

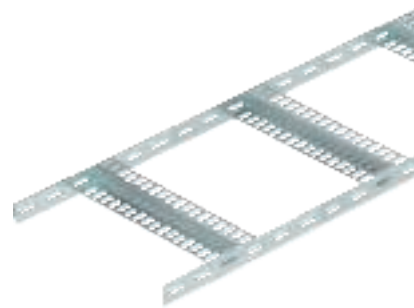
## Cable ladder with Z rung, light duty

Type	Width mm	Rail thickness mm	Pack. m	Weight kg/100 m	Item No.
SLZ L 100 FT	100	3	3	175,340	7098002
SLZ L 150 FT	150	3	3	186,670	7098004
SLZ L 200 FT	200	3	3	198,340	7098006
SLZ L 300 FT	300	3	3	221,670	7098008
SLZ L 400 FT	400	3	3	245,000	7098010
SLZ L 500 FT	500	3	3	268,340	7098012
SLZ L 600 FT	600	3	3	291,670	7098014

St Steel

FT Hot-dip galvanised

/m

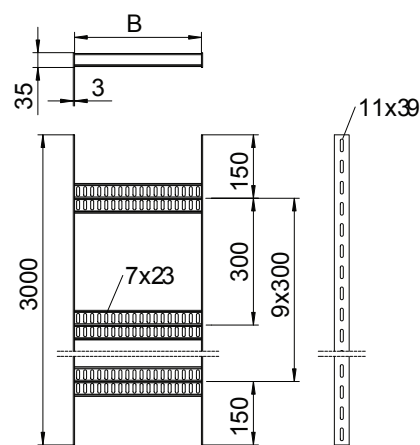


The marine cable ladder, including fittings, is also available in stainless steel on request. Powder coating according to RAL colours possible.

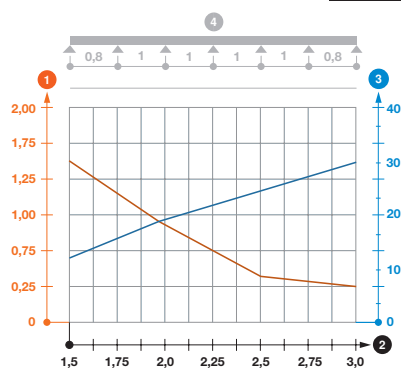
Light-duty marine cable ladder with perforated side rail of side height 35 mm with welded, perforated Z rungs. Load tested according to IEC in conjunction with connector, type SLV.

Type	Length mm	Width mm	Side height mm	Rail thickness mm
SLZ L 100 FT	3000	100	35	3
SLZ L 150 FT	3000	150	35	3
SLZ L 200 FT	3000	200	35	3
SLZ L 300 FT	3000	300	35	3
SLZ L 400 FT	3000	400	35	3
SLZ L 500 FT	3000	500	35	3
SLZ L 600 FT	3000	600	35	3

### Dimensions



### Load



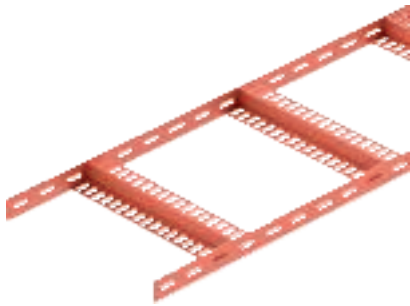
Type	1.5 m kN/m	2.0 m kN/m	2.5 m kN/m	3.0 m kN/m
SLZ L 100 FT	1.5	0.85	0.35	0.25
SLZ L 150 FT	1.5	0.85	0.35	0.25
SLZ L 200 FT	1.5	0.85	0.35	0.25
SLZ L 300 FT	1.5	0.85	0.35	0.25
SLZ L 400 FT	1.5	0.85	0.35	0.25
SLZ L 500 FT	1.5	0.85	0.35	0.25
SLZ L 600 FT	1.5	0.85	0.35	0.25

### Load diagram, cable ladder SLZ L

- 1 Permitted cable tray/ladder load in kN/m without man load
- 2 Support width in m
- 3 Rail bend in mm at permitted kN/m
- Load curve with cable tray/ladder width in mm
- Strut bend curve according to support width
- 4 Load scheme during testing



## Cable ladder with Z rung, light duty



Type	Width mm	Rail thickness mm	Pack. m	Weight kg/100 m	Item No.
SLZ L 100 SG	100	3	3	167,000	7098032
SLZ L 150 SG	150	3	3	177,340	7098034
SLZ L 200 SG	200	3	3	187,670	7098036
SLZ L 300 SG	300	3	3	208,670	7098038
SLZ L 400 SG	400	3	3	229,340	7098040
SLZ L 500 SG	500	3	3	250,000	7098042
SLZ L 600 SG	600	3	3	270,670	7098044

St Steel

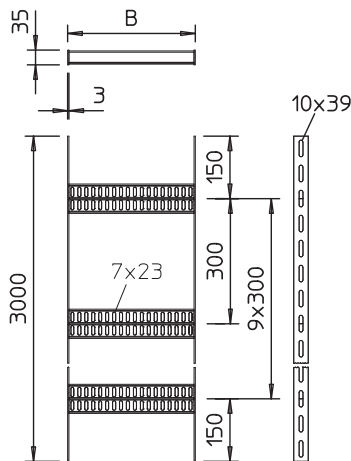
SG welding primed

/m

The marine cable ladder, including fittings, is also available in stainless steel on request. Powder coating according to RAL colours possible.

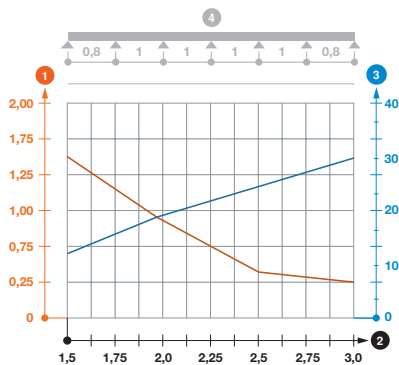
Light-duty marine cable ladder with perforated side rail of side height 35 mm with welded, perforated Z rungs. Load tested according to IEC in conjunction with connector, type SLV. Welding primer, type SIGMA-WELD 199, also available in white.

### Dimensions



Type	Length mm	Width mm	Side height mm	Rail thickness mm
SLZ L 100 SG	3000	100	35	3
SLZ L 150 SG	3000	150	35	3
SLZ L 200 SG	3000	200	35	3
SLZ L 300 SG	3000	300	35	3
SLZ L 400 SG	3000	400	35	3
SLZ L 500 SG	3000	500	35	3
SLZ L 600 SG	3000	600	35	3

### Load



Type	1.5 m kN/m	2.0 m kN/m	2.5 m kN/m	3.0 m kN/m
SLZ L 100 SG	1.5	0.85	0.35	0.25
SLZ L 150 SG	1.5	0.85	0.35	0.25
SLZ L 200 SG	1.5	0.85	0.35	0.25
SLZ L 300 SG	1.5	0.85	0.35	0.25
SLZ L 400 SG	1.5	0.85	0.35	0.25
SLZ L 500 SG	1.5	0.85	0.35	0.25
SLZ L 600 SG	1.5	0.85	0.35	0.25

### Load diagram, cable ladder SLZ L

- 1 Permitted cable tray/ladder load in kN/m without man load
- 2 Support width in m
- 3 Rail bend in mm at permitted kN/m
- Load curve with cable tray/ladder width in mm
- Strut bend curve according to support width
- 4 Load scheme during testing

## Cable ladder with Z rung, standard

Type	Width mm	Rail thickness mm	Pack. m	Weight kg/100 m	Item No.
SLZ 100 FT	100	5	3	328,700	7098132
SLZ 200 FT	200	5	3	385,300	7098134
SLZ 300 FT	300	5	3	441,700	7098136
SLZ 400 FT	400	5	3	498,300	7098138
SLZ 500 FT	500	5	3	554,700	7098140
SLZ 600 FT	600	5	3	611,300	7098142
SLZ 700 FT	700	5	3	667,700	7098144
SLZ 800 FT	800	5	3	724,300	7098146
SLZ 900 FT	900	5	3	780,700	7098148
SLZ 1000 FT	1000	5	3	837,300	7098150
SLZ 1200 FT	1200	5	3	950,300	7098152

Sl Steel

/m

FT Hot-dip galvanized

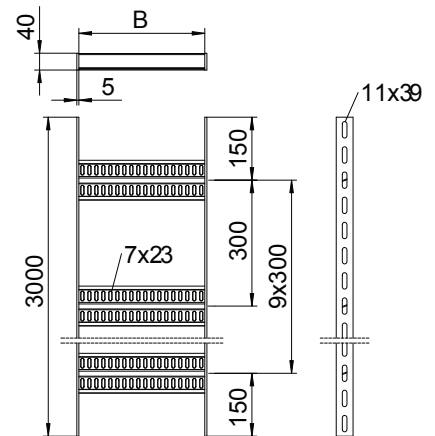
The marine cable ladder, including fittings, is also available in stainless steel on request. Powder coating according to RAL colours possible.

Marine cable ladder with perforated side rail of side height 40 mm with welded, perforated Z rungs. Load tested according to IEC in conjunction with connector, type SLV.

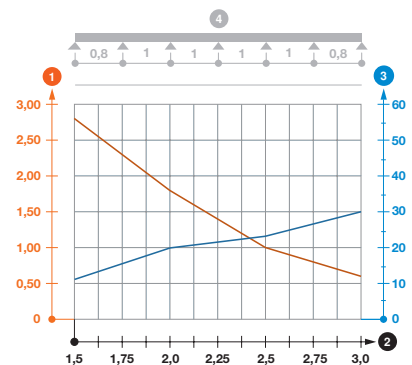


Type	Length mm	Width mm	Side height mm	Rail thickness mm
SLZ 100 FT	3000	100	40	5
SLZ 200 FT	3000	200	40	5
SLZ 300 FT	3000	300	40	5
SLZ 400 FT	3000	400	40	5
SLZ 500 FT	3000	500	40	5
SLZ 600 FT	3000	600	40	5
SLZ 700 FT	3000	700	40	5
SLZ 800 FT	3000	800	40	5
SLZ 900 FT	3000	900	40	5
SLZ 1000 FT	3000	1000	40	5
SLZ 1200 FT	3000	1200	40	5

### Dimensions



### Load



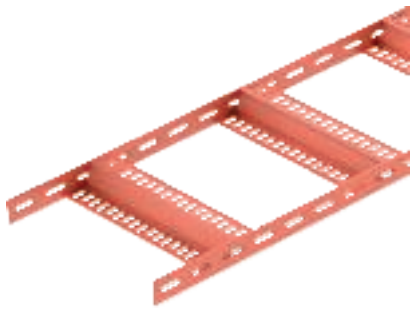
Type	1.5 m kN/m	2.0 m kN/m	2.5 m kN/m	3.0 m kN/m
SLZ 100 FT	2.8	1.75	1	0.6
SLZ 200 FT	2.8	1.75	1	0.6
SLZ 300 FT	2.8	1.75	1	0.6
SLZ 400 FT	2.8	1.75	1	0.6
SLZ 500 FT	2.8	1.75	1	0.6
SLZ 600 FT	2.8	1.75	1	0.6
SLZ 700 FT	2.8	1.75	1	0.6
SLZ 800 FT	2.8	1.75	1	0.6
SLZ 900 FT	2.8	1.75	1	0.6
SLZ 1000 FT	2.8	1.75	1	0.6
SLZ 1200 FT	2.8	1.75	1	0.6

### Load diagram, cable ladder SLZ

- 1 Permitted cable tray/ladder load in kN/m without man load
- 2 Support width in m
- 3 Rail bend in mm at permitted kN/m
- Load curve with cable tray/ladder width in mm
- Strut bend curve according to support width
- 4 Load scheme during testing



## Cable ladder with Z rung, standard



Type	Rail		Pack. m	Weight kg/100 m	Item No.
	Width mm	thickness mm			
SLZ 100 SG	100	5	3	319,000	7098162
SLZ 200 SG	200	5	3	372,300	7098164
SLZ 300 SG	300	5	3	425,700	7098166
SLZ 400 SG	400	5	3	479,000	7098168
SLZ 500 SG	500	5	3	532,300	7098170
SLZ 600 SG	600	5	3	585,700	7098172
SLZ 700 SG	700	5	3	639,000	7098174
SLZ 800 SG	800	5	3	692,300	7098176
SLZ 900 SG	900	5	3	745,700	7098178
SLZ 1000 SG	1000	5	3	799,000	7098180
SLZ 1200 SG	1200	5	3	905,300	7098182

Sl Steel

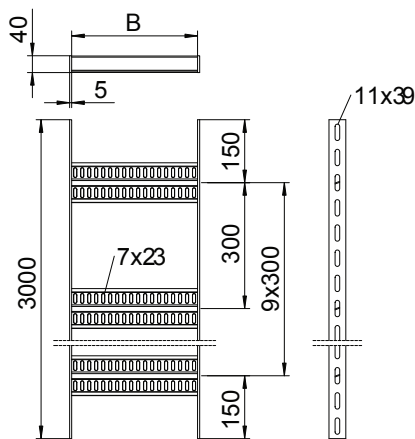
SG welding primed

/m

The marine cable ladder, including fittings, is also available in stainless steel on request. Powder coating according to RAL colours possible.

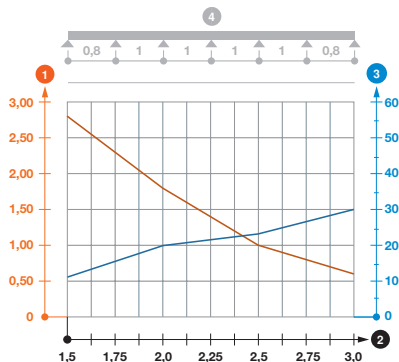
Marine cable ladder with perforated side rail of side height 40 mm with welded, perforated Z rungs. Load tested according to IEC in conjunction with connector, type SLV. Welding primer, type SIGMA-WELD 199, also available in white.

### Dimensions



Type	Length mm	Width mm	Side height mm	Rail
				thickness mm
SLZ 100 SG	3000	100	40	5
SLZ 200 SG	3000	200	40	5
SLZ 300 SG	3000	300	40	5
SLZ 400 SG	3000	400	40	5
SLZ 500 SG	3000	500	40	5
SLZ 600 SG	3000	600	40	5
SLZ 700 SG	3000	700	40	5
SLZ 800 SG	3000	800	40	5
SLZ 900 SG	3000	900	40	5
SLZ 1000 SG	3000	1000	40	5
SLZ 1200 SG	3000	1200	40	5

### Load



Type	1.5 m	2.0 m	2.5 m	3.0 m
	kN/m	kN/m	kN/m	kN/m
SLZ 100 SG	2.8	1.75	1	0.6
SLZ 200 SG	2.8	1.75	1	0.6
SLZ 300 SG	2.8	1.75	1	0.6
SLZ 400 SG	2.8	1.75	1	0.6
SLZ 500 SG	2.8	1.75	1	0.6
SLZ 600 SG	2.8	1.75	1	0.6
SLZ 700 SG	2.8	1.75	1	0.6
SLZ 800 SG	2.8	1.75	1	0.6
SLZ 900 SG	2.8	1.75	1	0.6
SLZ 1000 SG	2.8	1.75	1	0.6
SLZ 1200 SG	2.8	1.75	1	0.6

#### Load diagram, cable ladder SLZ

- ① Permitted cable tray/ladder load in kN/m without man load
- ② Support width in m
- ③ Rail bend in mm at permitted kN/m
- Load curve with cable tray/ladder width in mm
- Strut bend curve according to support width
- ④ Load scheme during testing

90° bend with Z rung

Type	Width mm	Pack. pcs	Weight kg/100 pcs.	Item No.
SLBZ 90 100 FT	100	1	231,000	7099000
SLBZ 90 150 FT	150	1	269,000	7099001
SLBZ 90 200 FT	200	1	306,500	7099002
SLBZ 90 300 FT	300	1	382,000	7099004
SLBZ 90 400 FT	400	1	458,000	7099006
SLBZ 90 500 FT	500	1	533,000	7099008
SLBZ 90 600 FT	600	1	609,000	7099010
SLBZ 90 700 FT	700	1	806,000	7099012
SLBZ 90 800 FT	800	1	900,000	7099014
SLBZ 90 900 FT	900	1	994,000	7099016
SLBZ 90 1000 FT	1000	1	1.088,000	7099018
SLBZ 90 1200 FT	1200	1	1.276,000	7099020

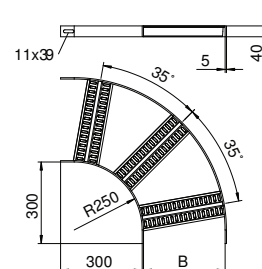
Sl Steel

FT Hot-dip galvanised

/pc.

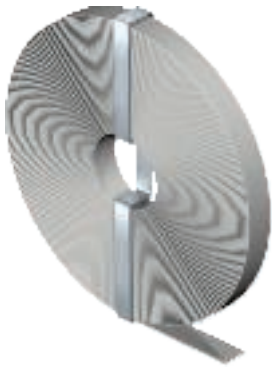
Connectors should be ordered separately and in the appropriate quantity.

90° bend, horizontal, for all shipping cable ladder types with a side height of 40 mm and Z rung.





Tightening strap



Type	Dimension mm	Minimum breaking load kN	Colour	Pack. m	Weight kg/100 m	Item No.
<b>574 G STGR</b>	17 x 1.2	1.35	Stone grey	25	5,880	<b>6490018</b>

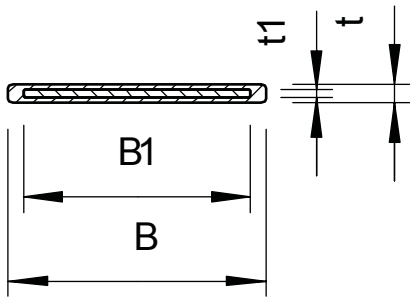
Si Steel price/100 m  
G Electrogalvanised

Galvanised tightening strap and with plastic covering for fastening on cable trays and ladders.

Dimensions

Dimensions

Type	B	t	B1	t1
	mm	mm	mm	mm
574 G STGR	17	1.2	15.5	0.3



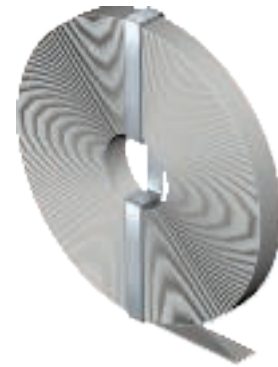
## Tightening strap

Type	Dimension mm	Minimum breaking load kN	Colour	Pack. m	Weight kg/100 m	Item No.
574 03 SW	17 x 1.2	2.25	Jet black	25	6,950	6490026
574 03 LBL	17 x 1.2	2.25	Light blue	25	6,950	6490034
574 05 PGN	17 x 1.2	3.5	Patina green	25	7,120	6490050

V2A Stainless steel, grade 301

price/100 m

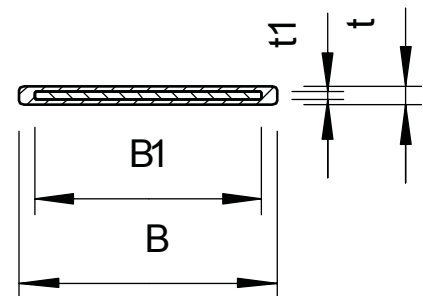
Tightening strap made of rustproof steel and with plastic covering for fastening on cable trays and ladders.



Dimensions

## Dimensions

Type	B	t	B1	t1
	mm	mm	mm	mm
574 03 SW	17	1.2	15.5	0.3
574 03 LBL	17	1.2	15.5	0.3
574 05 PGN	17	1.2	14.5	0.5



## Tightening strap

Type	Dimension mm	Length mm	Minimum breaking load kN	Colour	Pack. pcs	Weight kg/100 pcs.	Item No.
574 03 30 SW	17 x 1.2	300	2.25	Jet black	25	2,410	6490111
574 03 30 LBL	17 x 1.2	300	2.25	Light blue	25	2,410	6490107
574 03 45 LBL	17 x 1.2	450	2.25	Light blue	25	3,260	6490123
574 05 55 PGN	17 x 1.2	550	3.5	Patina green	25	4,660	6490158
574 05 65 PGN	17 x 1.2	650	3.5	Patina green	25	5,370	6490174

V2A Stainless steel, grade 304 V2A Stainless steel, grade 301

/100 pc.

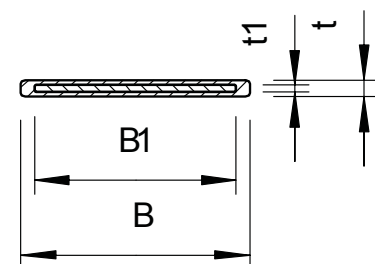
Tightening strap, 574, completely pre-assembled with tightening strap lock.



Dimensions

## Dimensions

Type	B	t	B1	t1
	mm	mm	mm	mm
574 03 30 SW	17	1.2	15.5	0.3
574 03 30 LBL	17	1.2	15.5	0.3
574 03 45 LBL	17	1.2	15.5	0.3
574 05 55 PGN	17	1.2	14.5	0.5
574 05 65 PGN	17	1.2	14.5	0.5



## Tightening strap

## Tightening strap



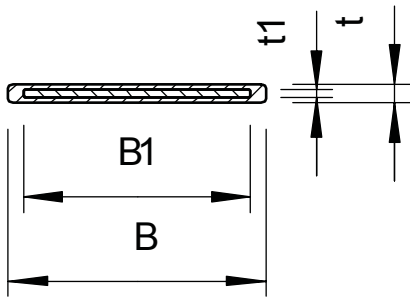
Type	Dimension	Length	Minimum breaking load	Colour	Pack.	Weight	Item No.
	mm	mm	kN		pcs	kg/100 pcs.	
<b>574 03 45 STGR</b>	17 x 1.2	450	1.35	Stone grey	25	3,260	<b>6490125</b>
<b>Sl</b> Steel							/100 pc.
<b>G</b> Electrogalvanised							

Tightening strap, 574, electrogalvanised, completely pre-assembled with tightening strap lock.

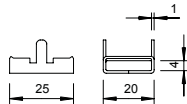
### Dimensions

### Dimensions

Type	B	t	B1	t1
	mm	mm	mm	mm
<b>574 03 45 STGR</b>	17	1.2	15.5	0.3



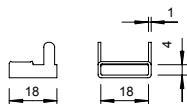
## Tightening strap lock



Type	Shipping box pcs	Pack.	Weight	Item No.
	pcs	pcs	kg/100 pcs.	
<b>192</b>	1200	100	0,900	<b>6490905</b>
<b>Sl</b> Steel				/100 pc.
<b>DD</b> Strip galvanised zinc/aluminium, Double Dip				

Tightening strap lock for mounting under the ceiling.

## Tightening strap lock



Type	Shipping box pcs	Pack.	Weight	Item No.
	pcs	pcs	kg/100 pcs.	
<b>197 VA4301</b>	1800	100	0,560	<b>6490964</b>
<b>197 VA4401</b>	1800	100	0,560	<b>6490972</b>
<b>V2A</b> Stainless steel, grade 304				/100 pc.
<b>V4A</b> Stainless steel, grade 316				

Tightening strap lock for single-sided locking of tightening strap in problematic areas.

**Type****575**

St Steel

Pack. pcs	Weight kg/100 pcs.	Item No.
1	29,700	6498019

/pc.

For tightening strap 574/...

Mounting of the tightening strap:

1. Cut the strap to the right length, push it through the lock and turn it over.
2. Loop the strap around the cable, push the loose end through the lock.
3. Tighten the end of the strap with the pliers.
4. Turn the end of the taut strap with the pliers. Remove the pliers.
5. Completely turnover the turned end of the strap with the hammer, secure the end of the strap by hitting the two standing lobes of the lock.

**Spring chuck****Spring chuck****Type****576**

St Steel

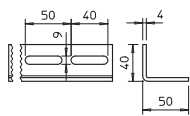
Pack. pcs	Weight kg/100 pcs.	Item No.
1	132,000	6498027

/pc.

For tightening strap 574/...



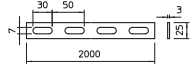
### Angle profile



Type	Length mm	Pack. m	Weight kg/100 m	Item No.
<b>WESP 50 40 FT</b>	3000	3	246,340	<b>7105673</b>
<b>SI</b> Steel				/m
<b>FT</b> Hot-dip galvanised				

Angle profile with double perforation row to create suspension and support constructions.

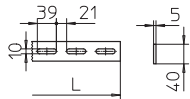
### Construction and suspension profile, SL42



Type	Length mm	Version	Pack. m	Weight kg/100 m	Item No.
<b>SLH 42 FT</b>	2000	Perforated	2	51,500	<b>7103611</b>
<b>SI</b> Steel					/m
<b>FT</b> Hot-dip galvanised					

The rail profile is available in unpainted steel and in stainless steel on request.  
Perforated rail profile of marine cable ladder, SL 42, for creation of suspension and support structures.

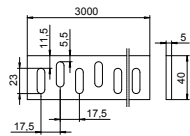
### Construction and suspension profile, SL62



Type	Length mm	Version	Pack. m	Weight kg/100 m	Item No.
<b>SLH 62 FT</b>	3000	Perforated	3	136,000	<b>7103643</b>
<b>SI</b> Steel					/m
<b>FT</b> Hot-dip galvanised					

The rail profile is available in unpainted steel and in stainless steel on request.  
Perforated side rail of marine cable ladder, SL 62, for creation of suspension and support structures.

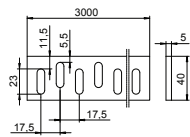
### Construction and suspension profile, flat iron rung



Type	Length mm	Pack. m	Weight kg/100 m	Item No.
<b>FESP 40 5 FT</b>	3000	15	130,000	<b>7104356</b>
<b>SI</b> Steel				/m
<b>FT</b> Hot-dip galvanised				

Flat iron profile with double, side-offset slot row to create suspended and support constructions.

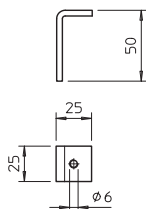
### Construction and suspension profile, flat iron rung



Type	Length mm	Pack. m	Weight kg/100 m	Item No.
<b>FESP 40 5 SG</b>	3000	15	127,000	<b>7104358</b>
<b>SI</b> Steel				/m
<b>SG</b> welding primed				

Flat iron profile with double, side-offset slot row to create suspended and support constructions.

### Welding angle



Type	Dimension mm	Pack. pcs	Weight kg/100 pcs	Item No.
<b>ASW FT</b>	25x50	10	5,700	<b>6015350</b>
<b>SI</b> Steel				/pc.
<b>FT</b> Hot-dip galvanised				

Connection bracket for mounting marine cable ladders and marine tracks, for welding to steel constructions in ship construction.

Hook screw

Type	Thread length mm	Overall length mm	Thread	Pack. pcs	Weight kg/100 pcs.	Item No.
<b>HS M6x45 A4</b>	18	51	M6	25	0,970	<b>1154970</b>
<b>HS M8x60 A4</b>	22	68	M8	25	2,330	<b>1154975</b>

V4A Stainless steel, A4 /100 pc.

Hook screw for fastening cable tracks on the bracket.

